

Please make sure to read the enclosed Ninja® Owner's Guide prior to using your unit.

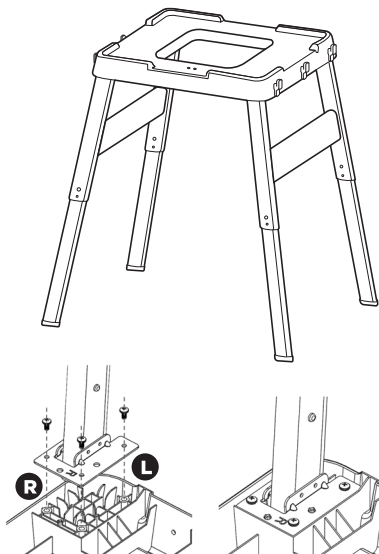
NINJA WOODFIRE™ ACCESSORIES

Adjustable Outdoor Stand XSKUNSTAND

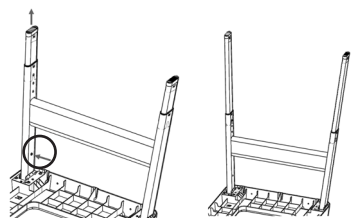
Assembly Instructions

Set-Up:

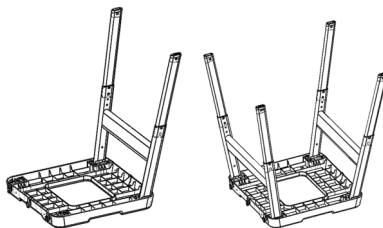
Step 1: Flip the table over and place it on the ground. Align the leg brackets (L-L) (R-R) with the underside of the tabletop and install the screws as shown using the provided Allen wrench.



Step 2: Extend the legs by pressing the button and pulling at the same time until locked into the desired height.



Step 3: Repeat steps 1 and 2 on the other side of the table.



SharkNinja Operating LLC
Needham, MA 02494
1-877-646-5288
ninjakitchen.com

Illustrations may differ from actual product. We are constantly striving to improve our products, therefore the specifications contained herein are subject to change without notice.

NINJA is a registered trademark of SharkNinja Operating LLC.

NINJA WOODFIRE is a trademark of SharkNinja Operating LLC.

This product may be covered by one or more U.S. patents. See sharkninja.com/patents for more information.

© 2023 SharkNinja Operating LLC

XSKUNSTAND_AdjustableOutdoorStand_MP_Mv3_230127



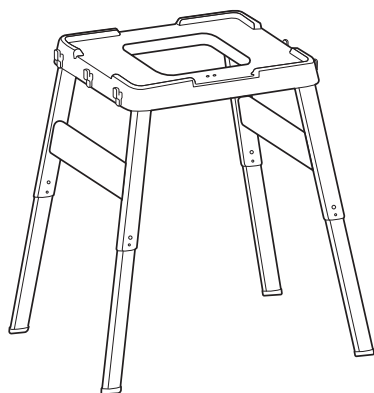
HELP LINE 1-855-427-5125

ninjakitchen.com

Please make sure to read the enclosed Ninja® Owner's Guide prior to using your unit.

NINJA WOODFIRE™ ACCESSORIES

Adjustable Outdoor Stand XSKUNSTAND



Includes:

- 1 Stand Table
- 4 Stand Legs
- 12 Hex Screws
- 1 Allen Wrench

⚠ IMPORTANT SAFEGUARDS

FOR HOUSEHOLD USE ONLY. READ ALL INSTRUCTIONS BEFORE USE.

Failure to follow these instructions could result in serious bodily injury or damage to property.

- To eliminate a choking hazard for young children, discard all packaging materials immediately upon unpacking.
- Ensure the stand is properly assembled and secured before use.
- **DO NOT** set up or fold down stand with unit or any other objects on stand.
- Reasonable care should be followed when operating your unit attached to stand.
- **NEVER** move the stand with the unit on it.
- To avoid property damage from flames or heat, maintain a minimum distance of 3 feet from rear, sides, and top to walls, rails, or other combustible constructions.
- **ALWAYS** use on a level and stable surface. **DO NOT** use on a sloped surface as unit and cart may tip over.
- **DO NOT** attach anything other than Ninja Outdoor products to this stand
- **DO NOT** move, roll, or store stand with unit attached.
- **NEVER** use the cart as a step stool or seat.

SAVE THESE INSTRUCTIONS



HELP LINE 1-855-427-5125

ninjakitchen.com