


# THANK YOU FOR PURCHASING THE NINJA® FLEXFLAME™ OUTDOOR COOKING SYSTEM



## REGISTER YOUR PURCHASE

 [registeryourninja.com](https://registeryourninja.com)

 Scan QR code using mobile device

## TECHNICAL SPECIFICATIONS

Voltage: 120V-60Hz  
Power: 400W

## RECORD THIS INFORMATION

Model Number: \_\_\_\_\_

Serial Number: \_\_\_\_\_

Date of Purchase: \_\_\_\_\_  
(Keep receipt)

Store of Purchase: \_\_\_\_\_

**SharkNinja Operating LLC**  
**US: Needham, MA 02494**  
**1-855-427-5125**  
**ninjakitchen.com**

Illustrations may differ from actual product. We are constantly striving to improve our products, therefore the specifications contained herein are subject to change without notice.

NATURAL WOODFIRE FLAVORS logo and NINJA WOODFIRE are trademarks of SharkNinja Operating LLC.

This product may be covered by one or more U.S. patents. See [sharkninja.com/patents](https://sharkninja.com/patents) for more information.

© 2024 SharkNinja Operating LLC

PG300Series\_AssemblyGuide\_MP\_Mv21



@ninjakitchen

# NINJA

## FLEXFLAME™ OUTDOOR COOKING SYSTEM PG300 Series | ASSEMBLY GUIDE



# BEFORE YOU GET STARTED

Start here by scanning QR code for step by step assembly video.

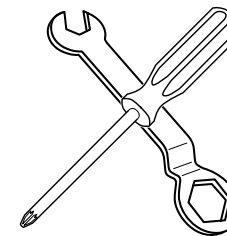
## Scan for easy 3D instructions

Tap. Zoom. Rotate with official interactive instructions on the BILT app.

# BILT.®

Download on the  
App Store

GET IT ON  
Google Play



## 10-YEAR WARRANTY

To view our full warranty,  
visit [sharkninja.com/warranty](https://sharkninja.com/warranty)



## Need Help?

[youtube.com/@NinjaKitchenUS/videos](https://youtube.com/@NinjaKitchenUS/videos)  
If you have questions or concerns regarding assembly instructions or missing parts, please contact Customer Service at 1-855-427-5125 or email [customerservice@sharkninja.com](mailto:customerservice@sharkninja.com).



Indicates the presence of a hazard that can cause personal injury, death or substantial property damage if the warning included with this symbol is ignored.



**TWO PEOPLE REQUIRED FOR ASSEMBLY.**



Remove protective film and packaging before installing parts.



Assemble grill in area where you intend to keep it to minimize moving.



Do not use power tools for assembly.



Assemble grill on a flat, level, non-abrasive surface (can use disassembled box as a liner for assembly surface).



Always keep lid closed when assembling or moving your grill.

## UNBOXING YOUR GRILL

Scan for easy 3D instructions

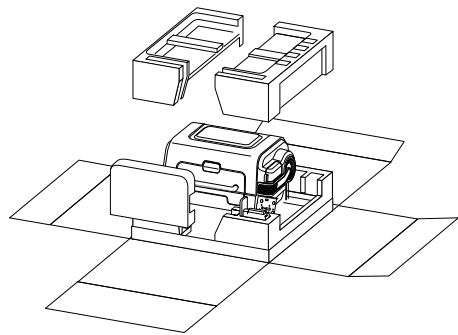
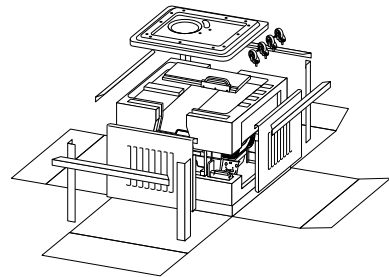
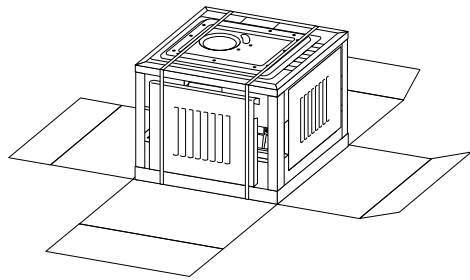


# BILT.®

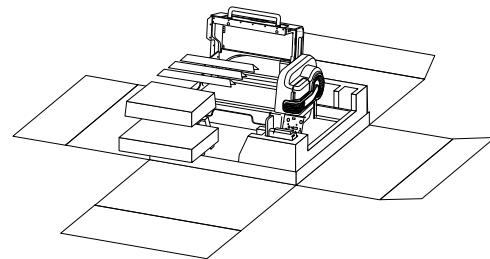
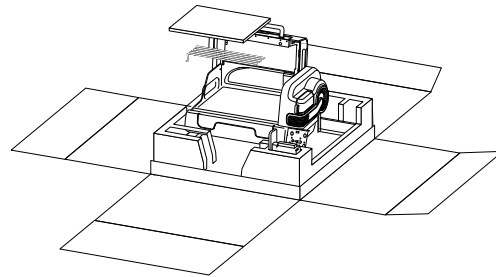
**Tap. Zoom. Rotate** with official interactive instructions on the BILT app. Download now for faster setup.



Cut open all four sides of the box. Use disassembled box to rest parts on during assembly to avoid scratching.



Make sure to remove all parts inside the firebox, but do not remove the firebox from packaging until the firebox assembly step.



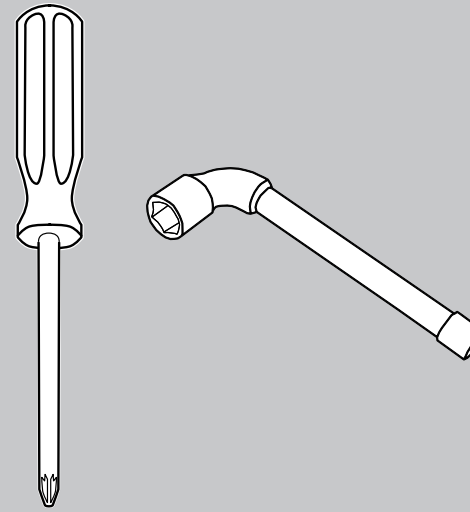
**NOTE:** All of our packaging is recyclable. ♻️

## BEFORE BEGINNING ASSEMBLY

Compare parts with package contents list. If any part is missing or damaged, do not attempt to assemble the product. Contact Customer Service for replacement parts: 1-855-427-5125.

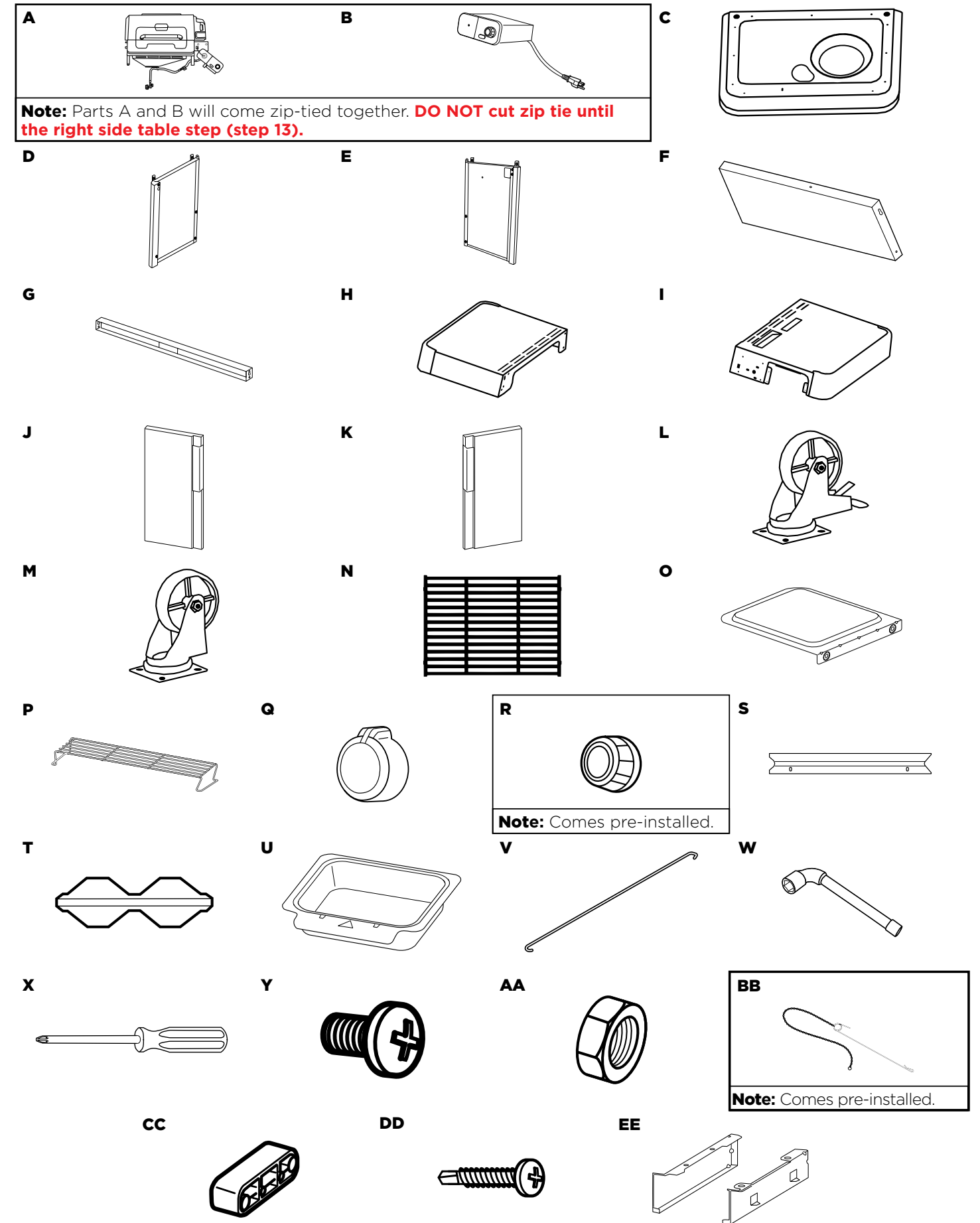
**IMPORTANT:** Tools required:

- Socket Wrench (included)
- Phillips Head (included)



# PARTS & ACCESSORIES

- A FIREBOX (1X)**
- B CONTROL PANEL (COMES ZIP-TIED TO THE FIREBOX) (1X)**
- C BASE (1X)**
- D LEFT SIDE PANEL (1X)**
- E RIGHT SIDE PANEL (1X)**
- F BACK PANEL (1X)**
- G FRONT CROSS BAR (1X)**
- H LEFT SIDE TABLE (1X)**
- I RIGHT SIDE TABLE (1X)**
- J LEFT CABINET DOOR (1X)**
- K RIGHT CABINET DOOR (1X)**
- L LOCKING CASTER WHEELS (2X)**
- M REGULAR CASTER WHEELS (2X)**
- N GRILL GRATES (2X)**
- O PROPANE TANK HEAT SHIELD (1X)**
- P ROAST & SMOKE RACK (1X)**
- Q BURNER DIAL (1X)**
- R TEMPERATURE CONTROL DIAL (COMES PRE-INSTALLED) (1X)**
- S MAIN BURNER FLAME TAMERS (3X)**
- T PILOT BURNER FLAME TAMER (1X)**
- U GREASE TRAY (1X)**
- V TANK DIVIDER (1X)**
- W SOCKET WRENCH (1X)**
- X PHILIPS HEAD (1X)**
- Y M6 SCREWS (4X ORANGE, 52 STAINLESS)**
- AA NUTS (7X)**
- BB MATCHSTICK HOLDER (COMES PRE-INSTALLED) (1X)**
- CC DOORSTOP (1X)**
- DD PLASTIC THREAD SCREWS FOR DOORSTOP (2X)**
- EE GREASE TRAY RAILS (2X)**



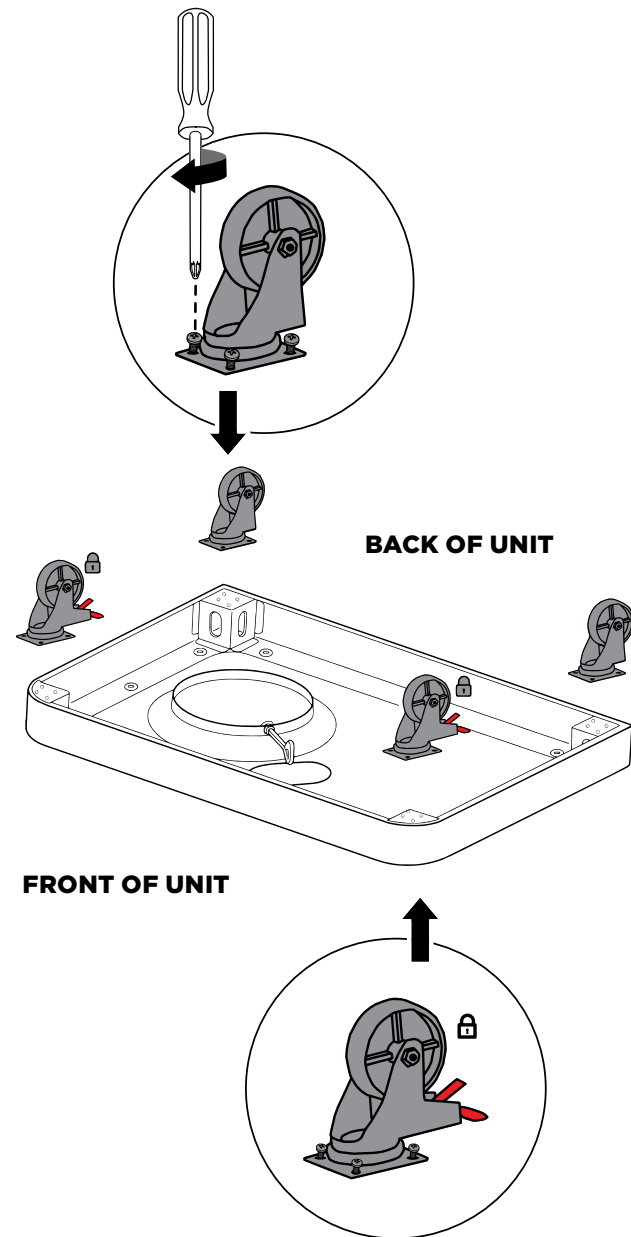
# ASSEMBLY

## 01 | BASE & CASTERS



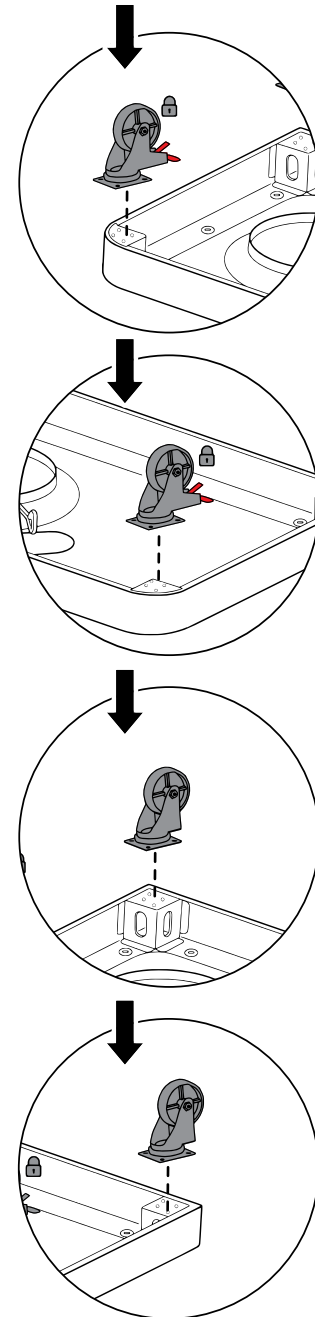
- 1 Fit casters in place by hand, then install 4x screws in each caster and tighten all screws fully.

**IMPORTANT:** Non-locking casters go on the back side with the straight corners.



**IMPORTANT:** Locking casters go on the front side that has rounded corners.

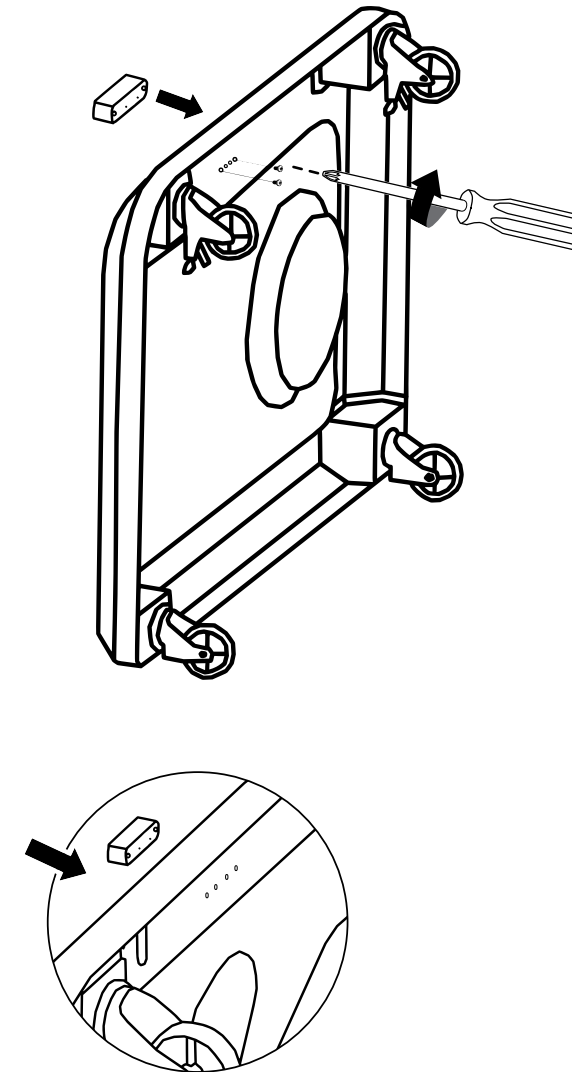
**IMPORTANT:** Lock wheels after installing on base.



## 02 | DOORSTOP

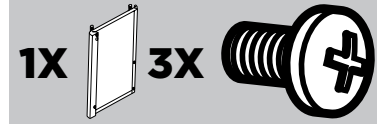


- 1 Before installing door stop, flip base on its side.
- 2 Install 2x screws into outer holes on base and tighten all screws fully.

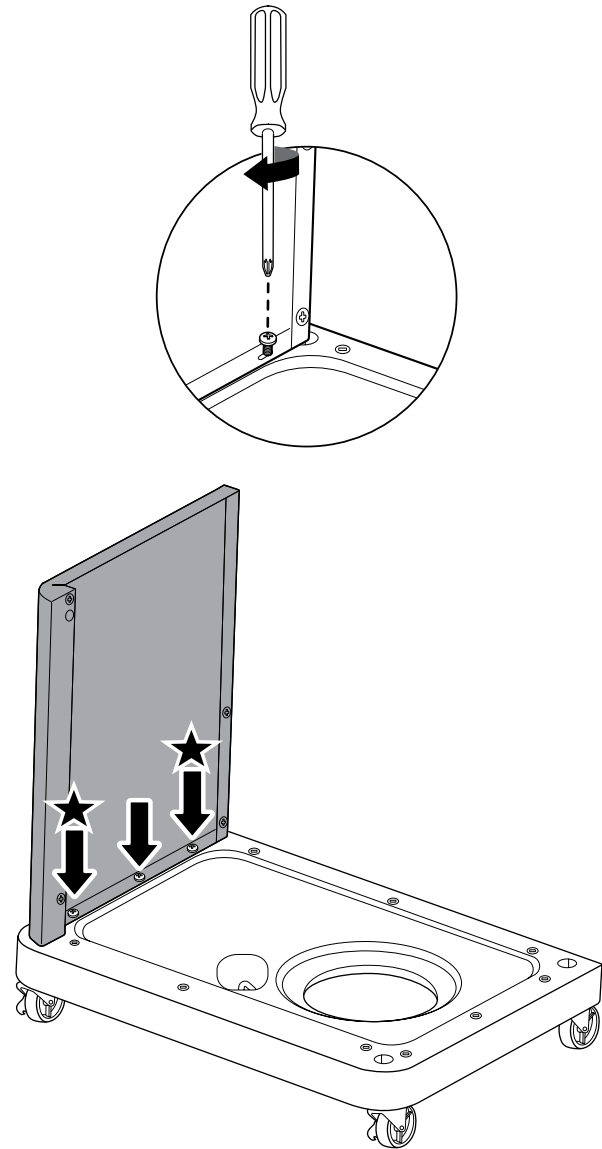
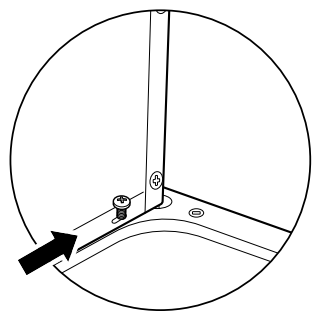
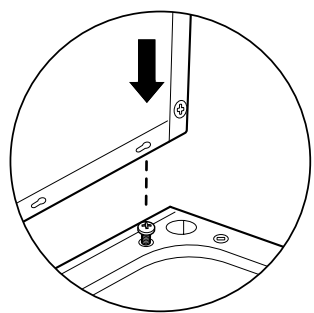
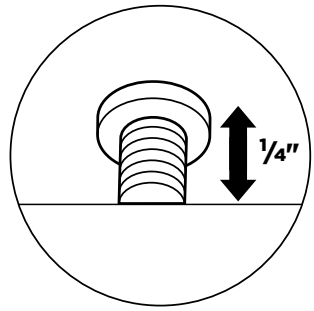
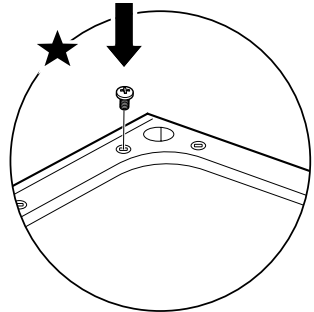


## ASSEMBLY - CONT.

### 03 | LEFT SIDE PANEL

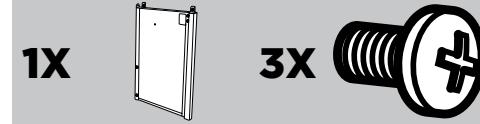


- 1 Before installing side panel, partially screw front and rear screws down into base, leaving about  $\frac{1}{4}$ " of screw exposed.  
★ Star in diagrams below indicate this step.
- 2 Align side panel on base and shift into place.
- 3 Install middle screw and tighten all screws fully.

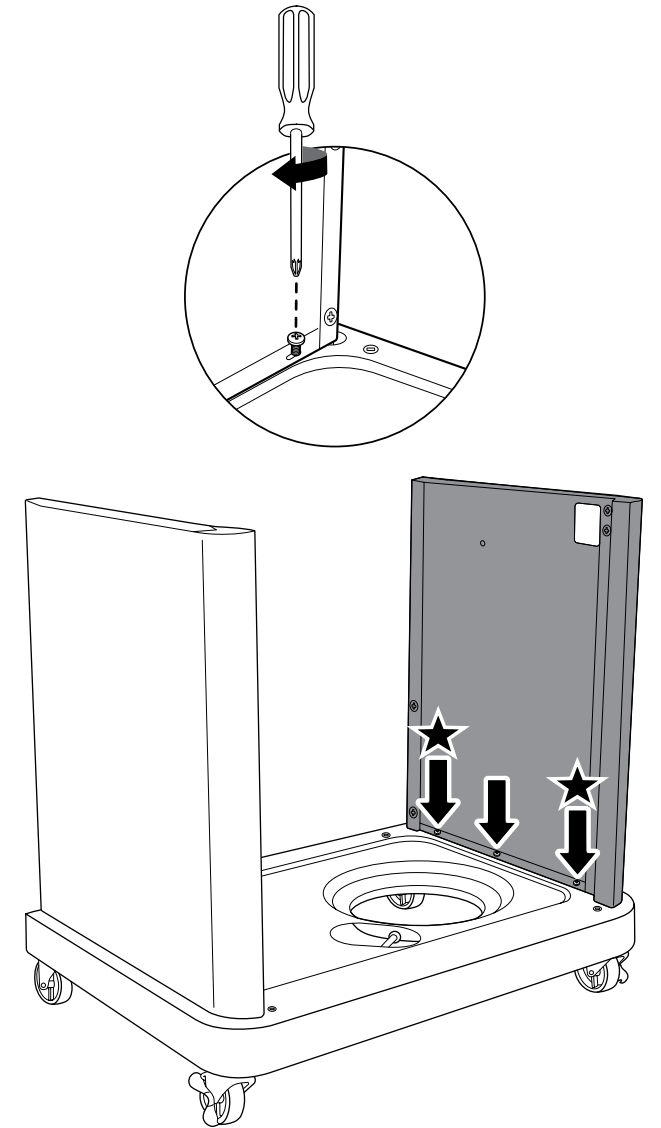
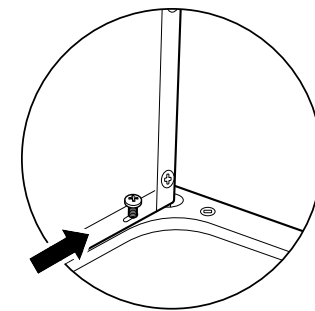
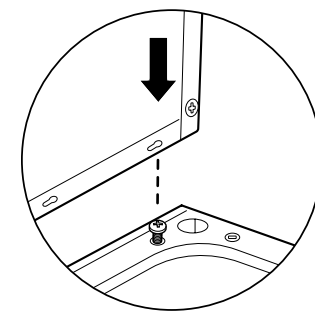
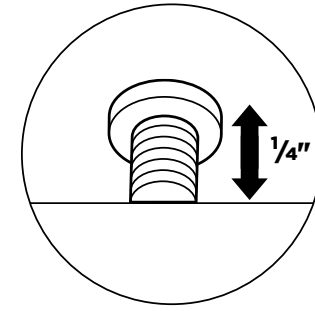
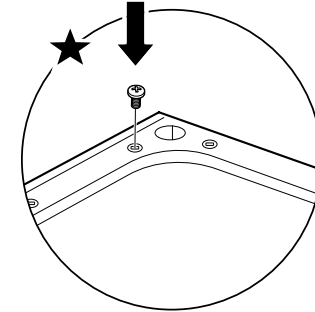


**IMPORTANT:** Screws must be fully tightened for stability.

### 04 | RIGHT SIDE PANEL



- 1 Before installing side panel, partially screw front and rear screws down into base, leaving about  $\frac{1}{4}$ " of screw exposed.  
★ Star in diagrams below indicate this step.
- 2 Align side panel on base and shift into place.
- 3 Install middle screw and tighten all screws fully.



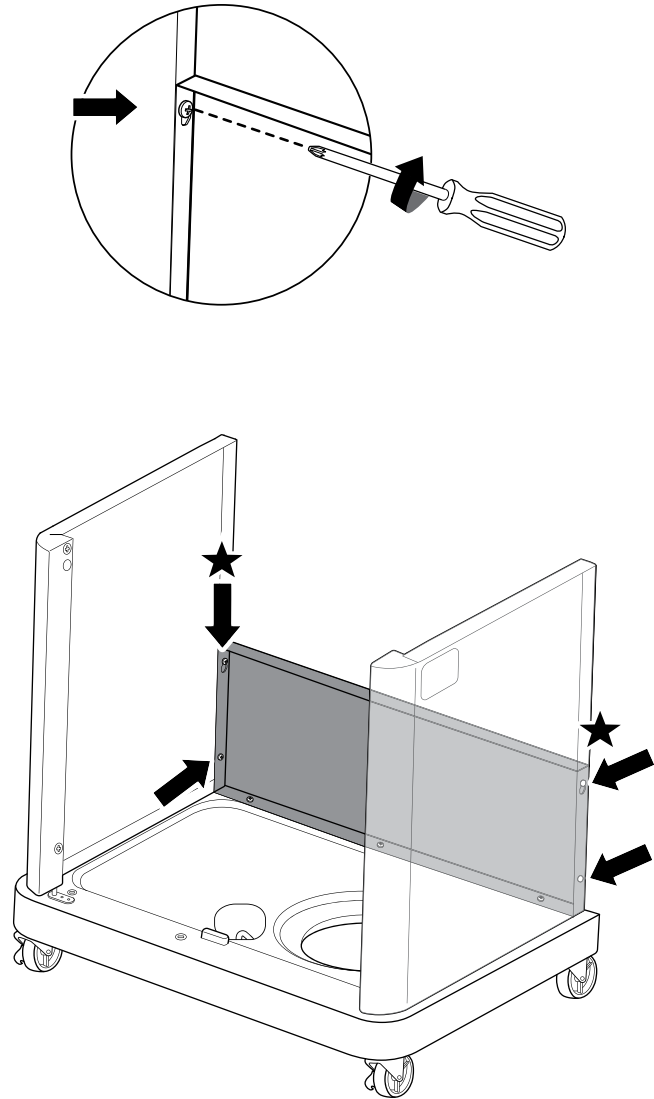
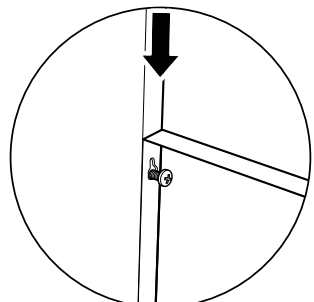
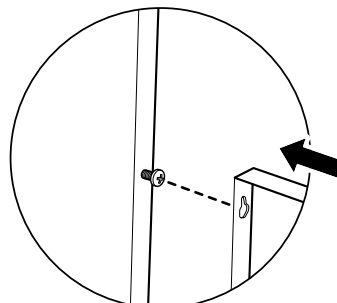
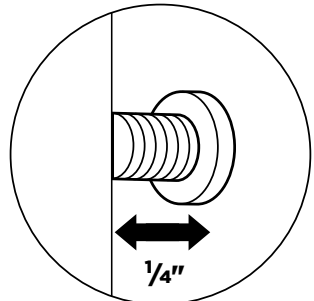
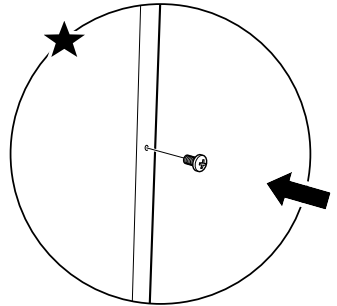
**IMPORTANT:** Screws must be fully tightened for stability.

## ASSEMBLY - CONT.

### 05 | BACK PANEL



- 1 Before installing back panel, partially screw the top screw into the side panel, on both sides, leaving about 1/4" of screw exposed.  
★ Star in diagrams below indicate this step.
- 2 Align back panel on base and shift into place.
- 3 Install remaining 5X screws and tighten all screws fully.

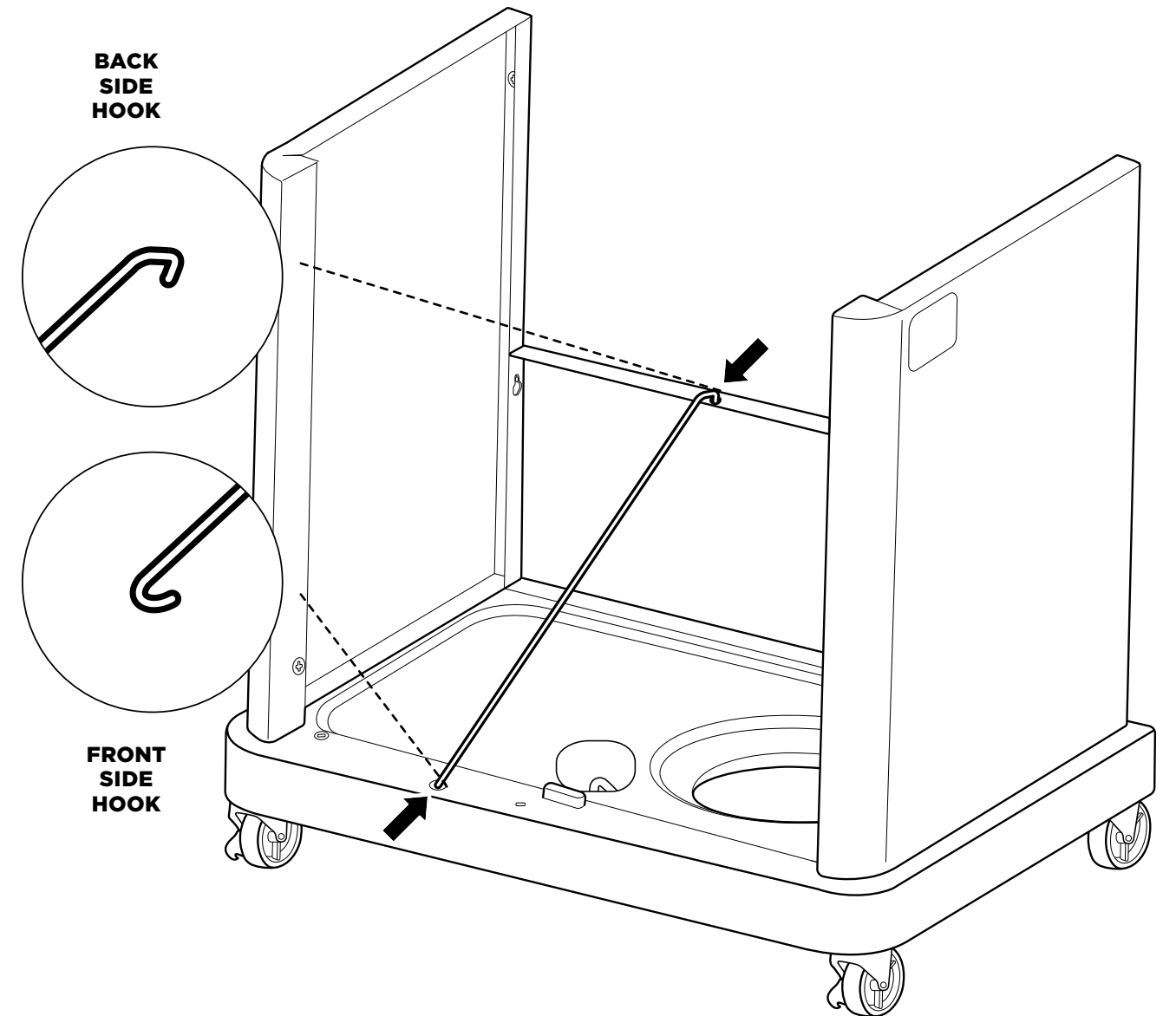


**IMPORTANT:** Screws must be fully tightened for stability.

### 06 | TANK DIVIDER

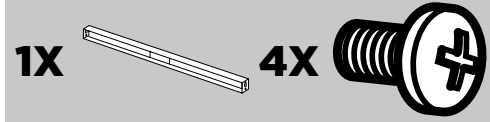


**IMPORTANT:** Install back side hook first.



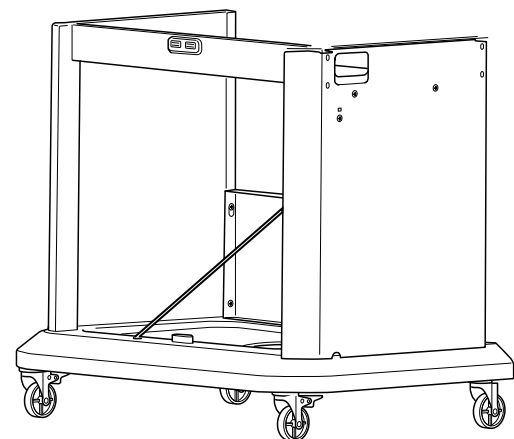
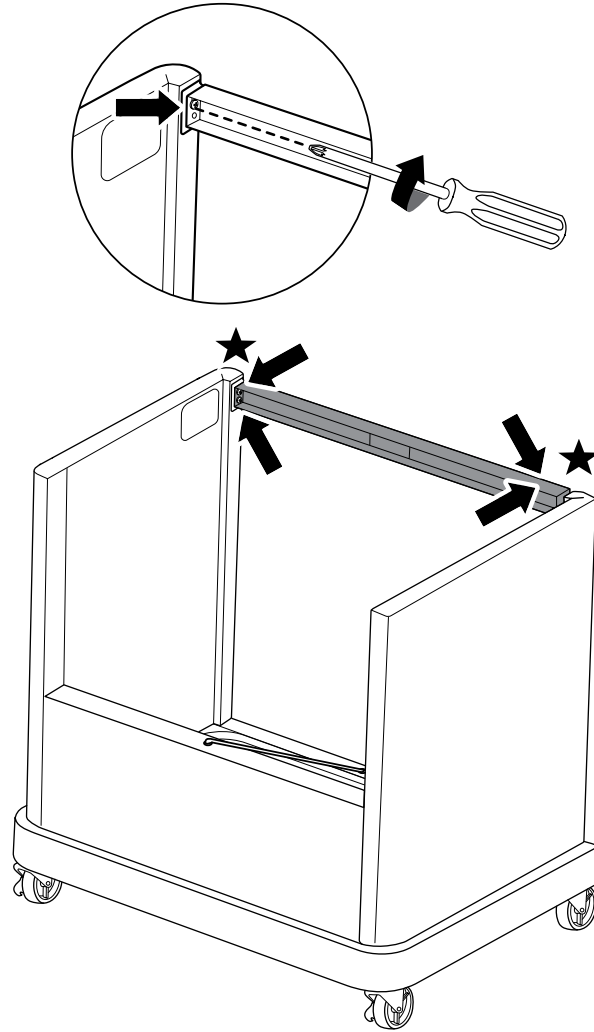
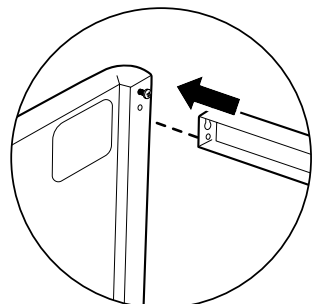
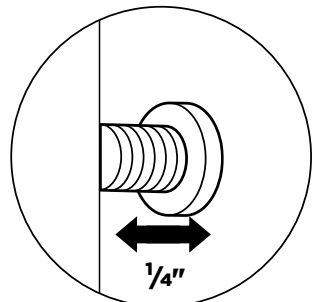
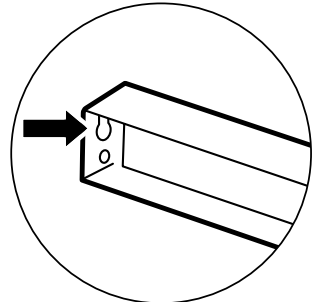
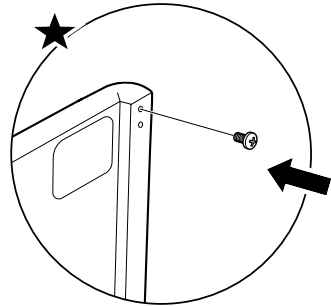
## ASSEMBLY - CONT.

### 07 | FRONT CROSS BAR



**IMPORTANT:** Ensure the magnet is facing outward and keyhole slots are on the top when installing to ensure correct orientation.

- 1 Before installing front cross bar, partially screw the top screw into the side panel, on both sides, leaving about 1/4" of screw exposed.  
★ Star in diagrams below indicate this step.
- 2 Align front cross bar on side panels and screw into place.
- 3 Install remaining 2 screws and tighten all screws fully.



**IMPORTANT:** Screws must be fully tightened for stability.

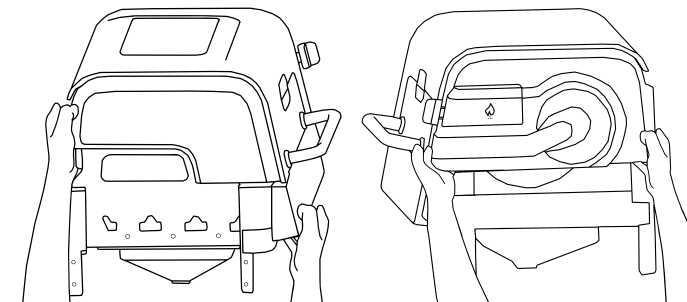
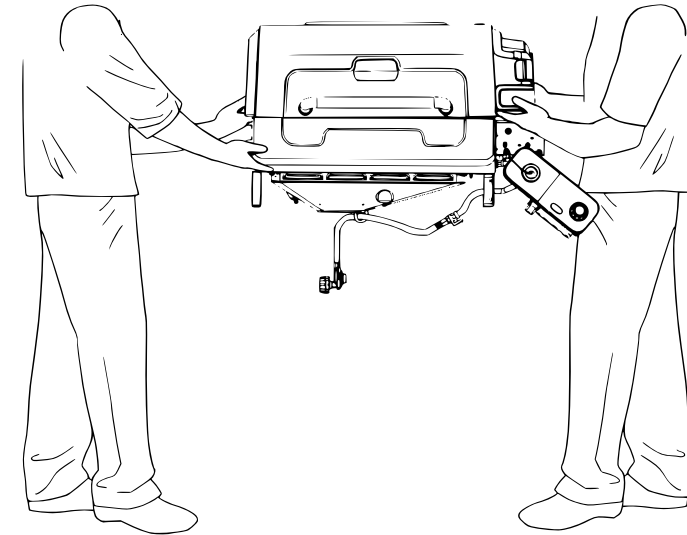
### 08 | FIREBOX



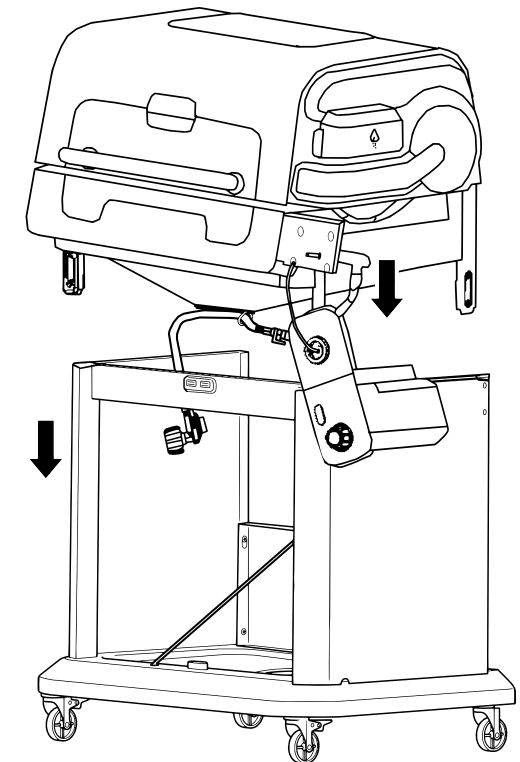
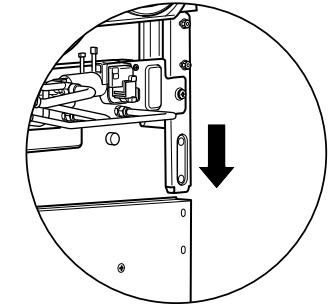
**IMPORTANT:** 2 people required to lift firebox.

**IMPORTANT: DO NOT** lift the firebox using the lid handle and ensure base casters are locked before placing firebox onto the base cabinet.

- 1 Ensure all components packed inside the firebox were removed before lifting.
- 2 Each person should be positioned on either end of the firebox with hands placed on LIFT HERE stickers for safe lift.



- 3 Align the four firebox posts with the holes in the top of the base cabinet, and ensure firebox remains level during installation.



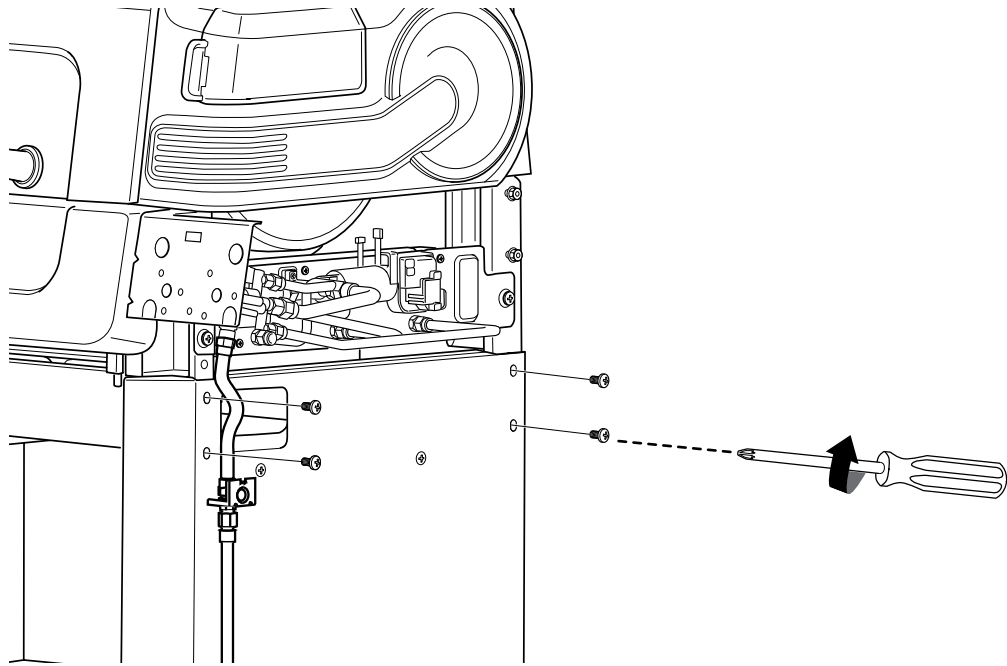
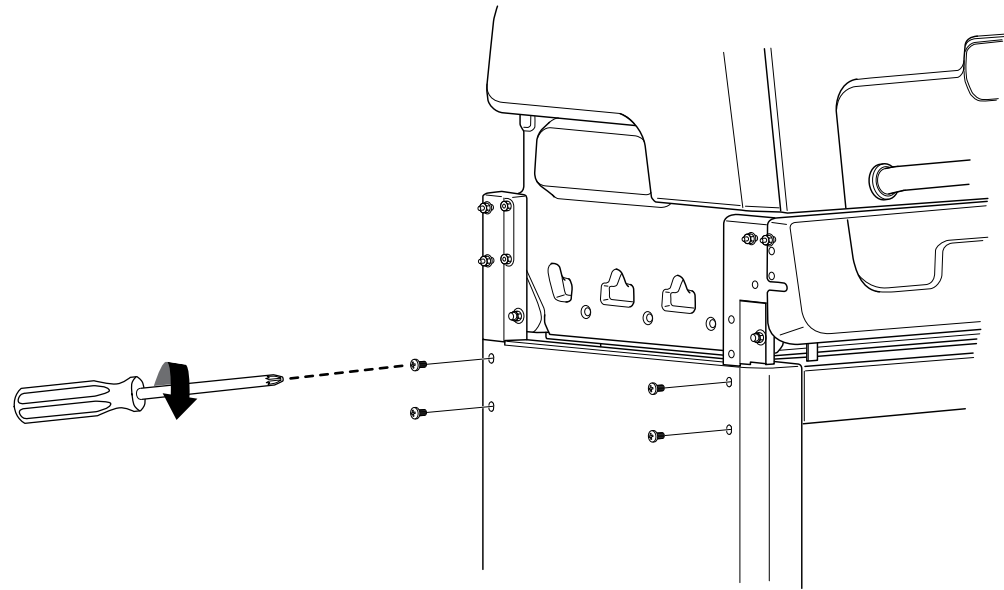
## ASSEMBLY - CONT.

### 09 | FIREBOX, CON'T

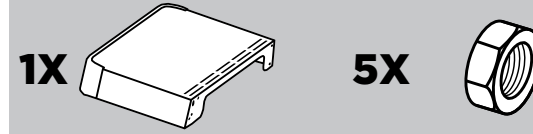


1 Install 4 screws on each side of the cabinet to secure firebox to cabinet.

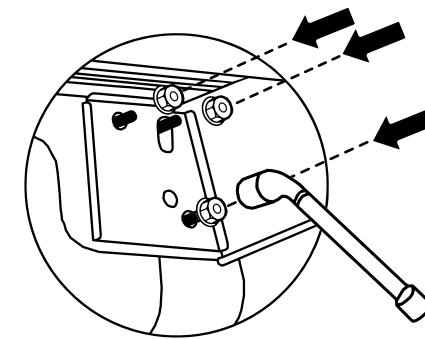
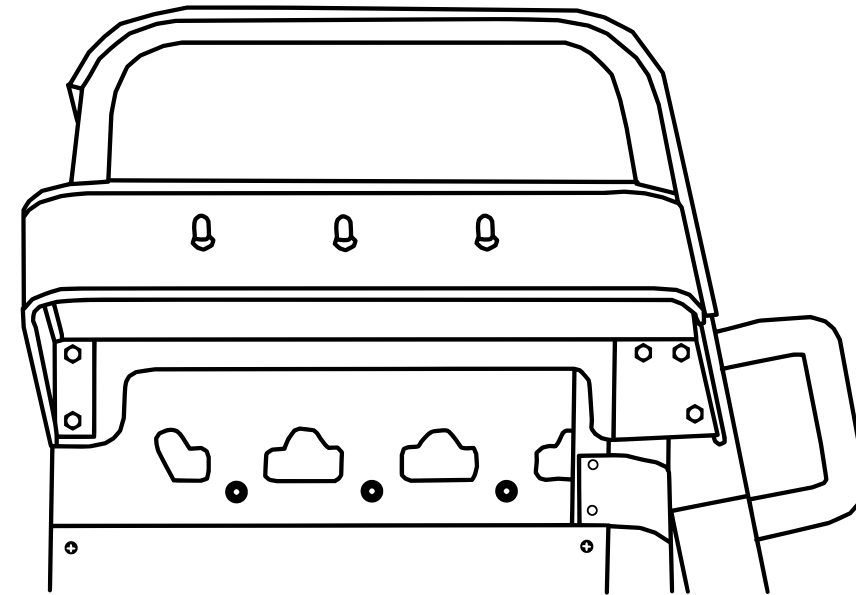
**IMPORTANT:** All screws must be fully tightened for stability.



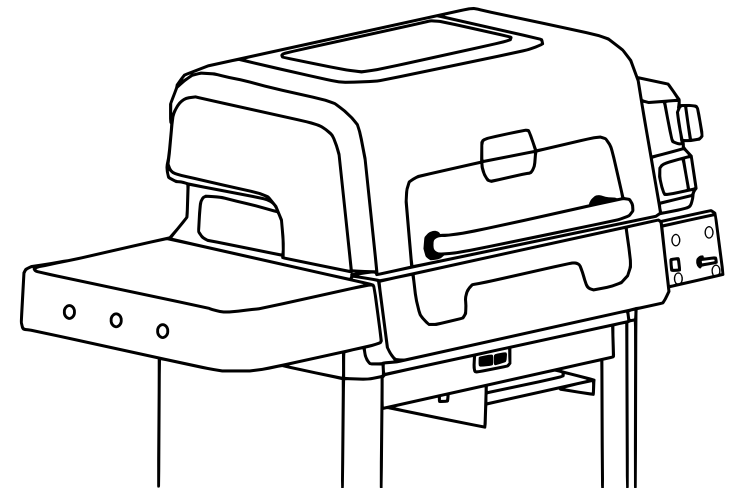
### 10 | LEFT SIDE TABLE



- 1 Align table with nut locations and screw all nuts down tightly with included wrench.
- 2 Ensure the flat edge on the nut, is closest to the firebox.



**IMPORTANT:** Screws must be fully tightened for stability.





## ASSEMBLY - CONT.

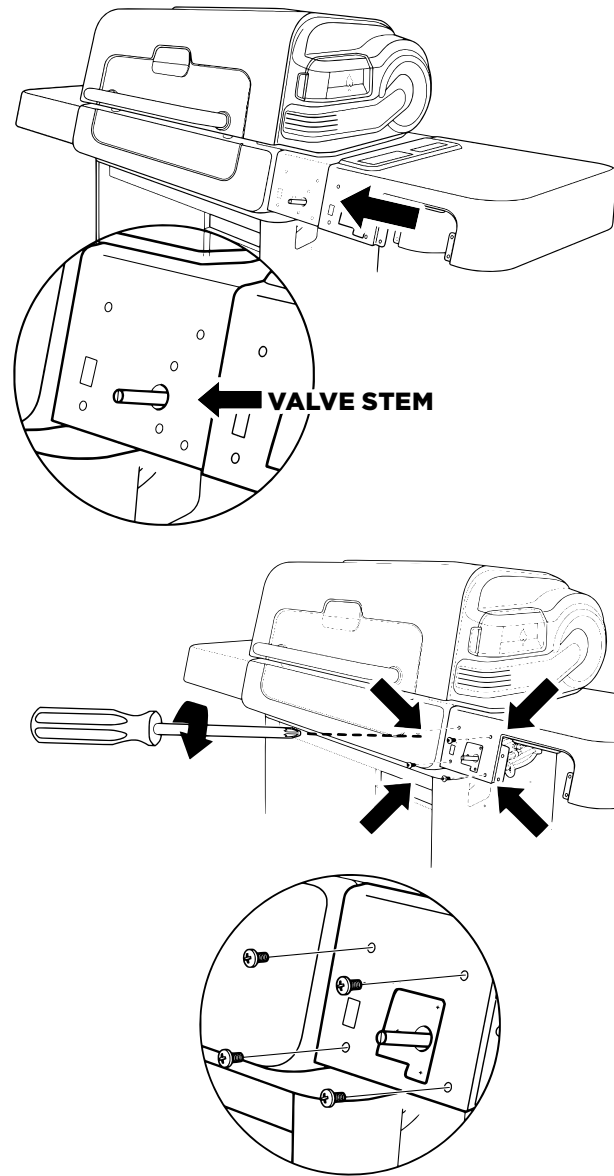
### 11 | RIGHT SIDE TABLE



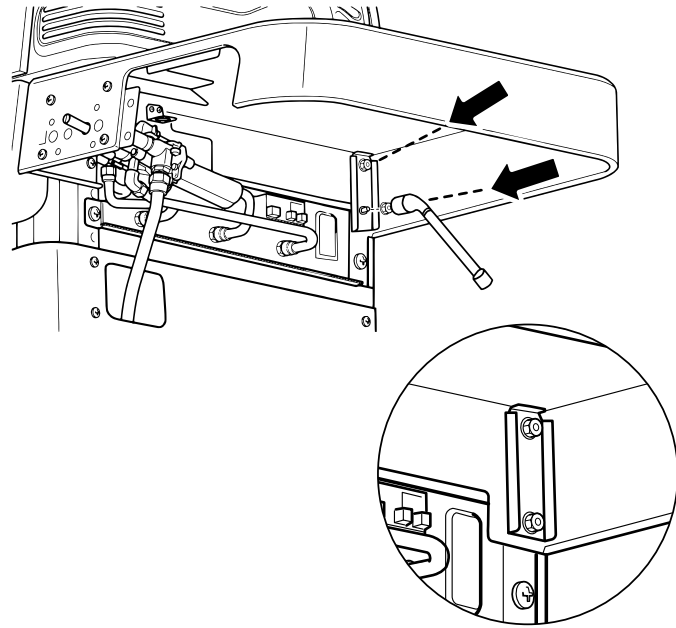
**Cut zip tie holding Control Panel before installing right side table, and CAREFULLY allow it to hang while you install the right side table.**

**TIP:** Gently pull on front left edge of the side table during installation to assist with positioning over valve stem.

**IMPORTANT:** Ensure all screws and nuts are fully tightened to ensure proper connection.



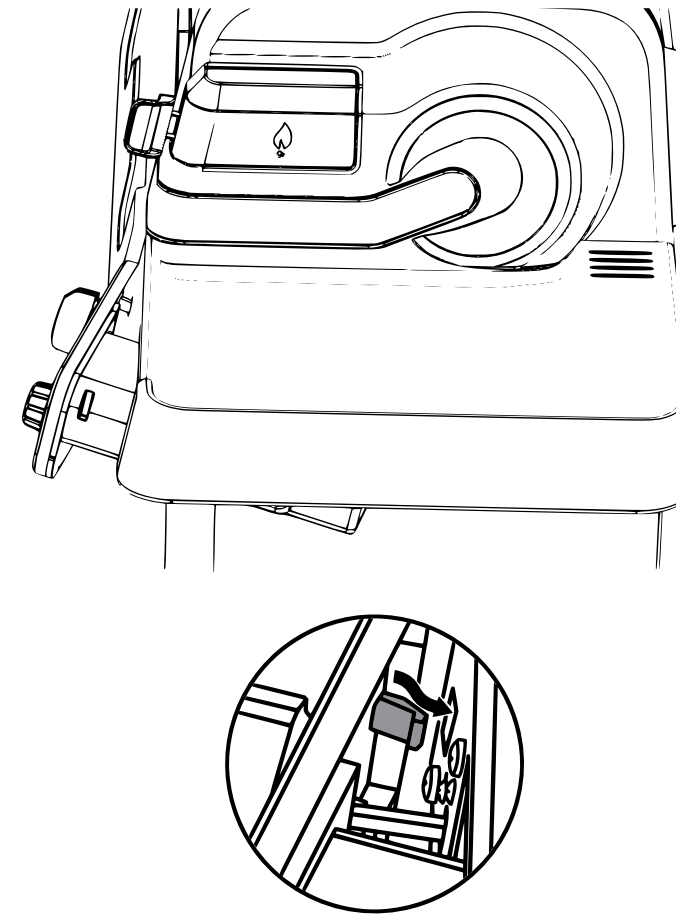
- 1 Align table with nut locations and screw all nuts down tightly with included wrench.
- 2 Ensure the flange on the nut, is closest to the firebox.



### 12 | CONTROL PANEL



- 1 Position control panel into right side table by first installing clip.

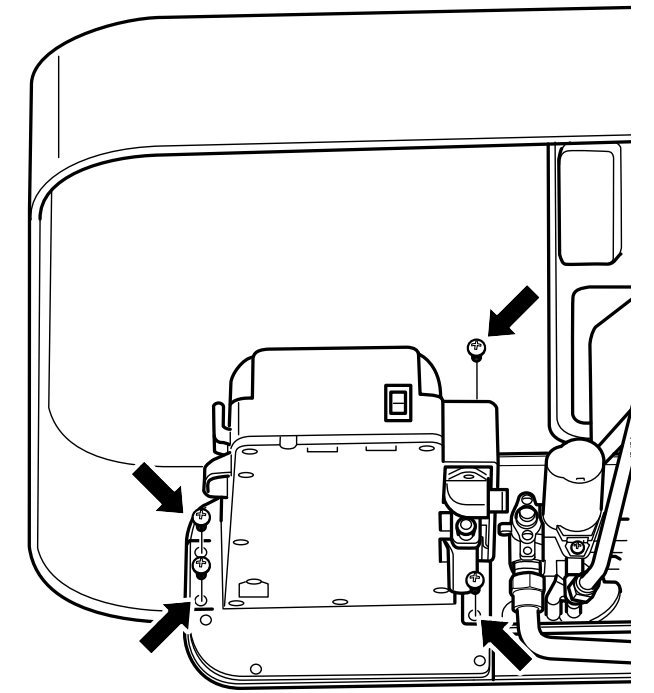


- 2 Align and tighten all 4 pre-installed orange screws at the back of the control panel.

**TIP:** Partially screw in all 4 orange screws by hand before tightening with a screwdriver.

**IMPORTANT:** Ensure all colored screws are fully tightened to ensure proper connection.

Underside view of control panel:



## ASSEMBLY - CONT.

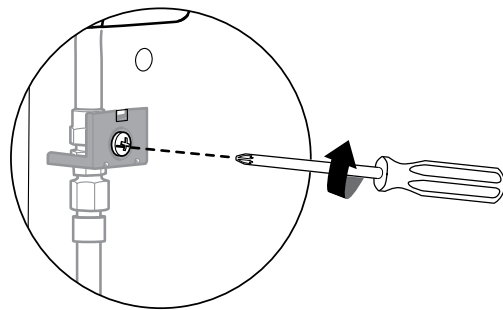
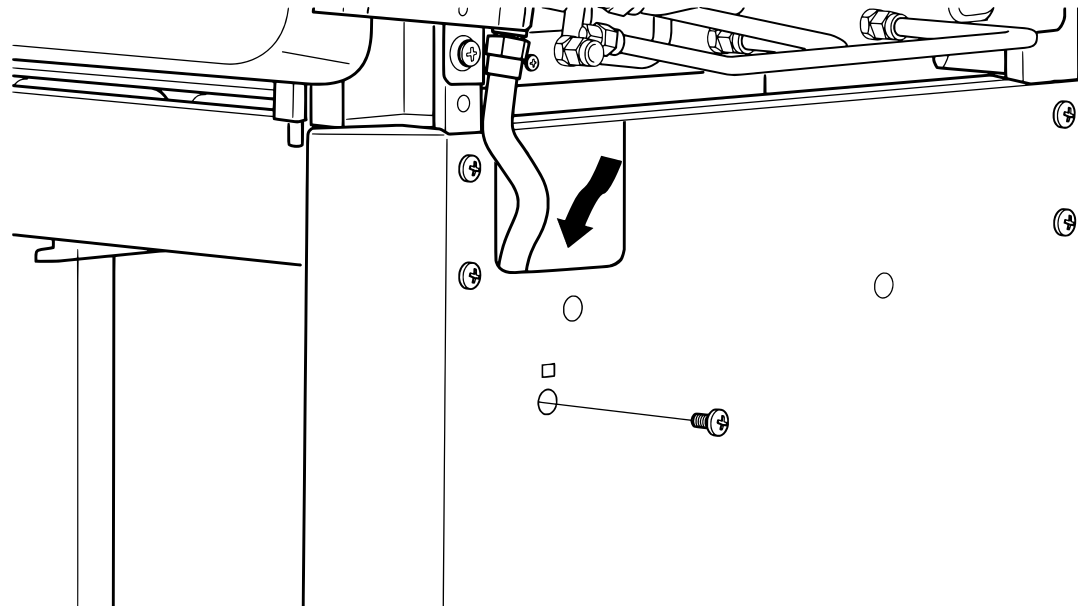
### 13 | PROPANE HOSE BRACKET



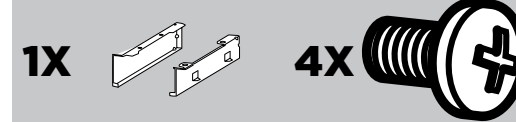
- 1 Carefully cut the zip tie around the regulator hose.

**NOTE:** You may need to bend the hose to fit it in place.

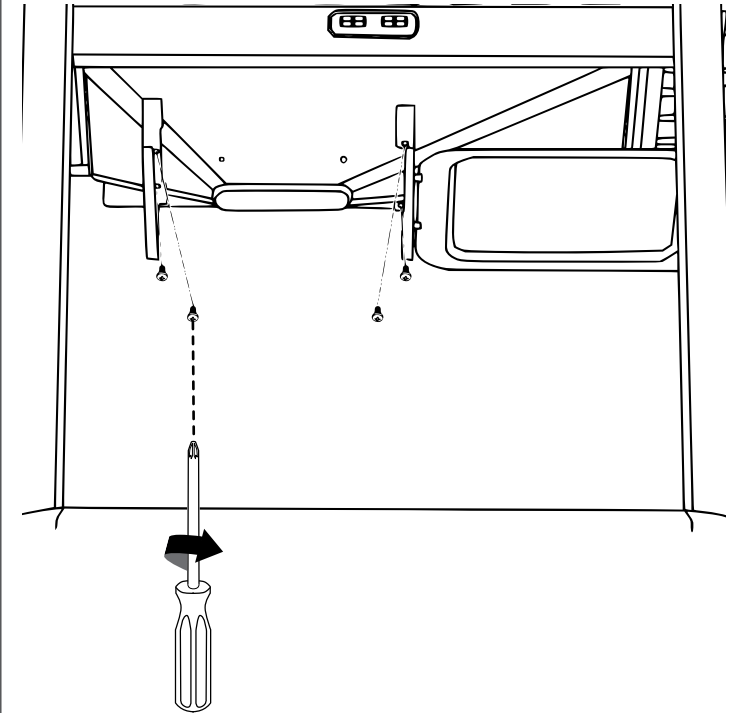
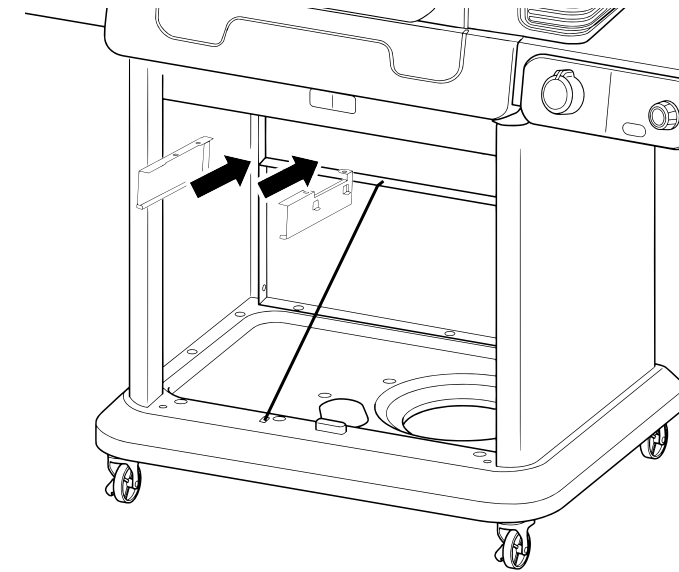
- 2 Align tab on bracket with square hole on cabinet panel, then screw into place.



### 14 | GREASE TRAY RAILS

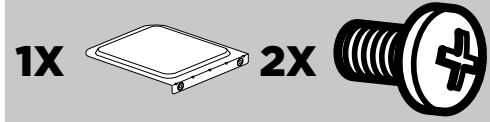


- 1 Install the front screw first.
- 2 Then, from the back of the cabinet, install the back screw. This will prevent risk of hitting head inside of the cabinet.
- 3 Repeat steps 1 and 2 for second bracket.



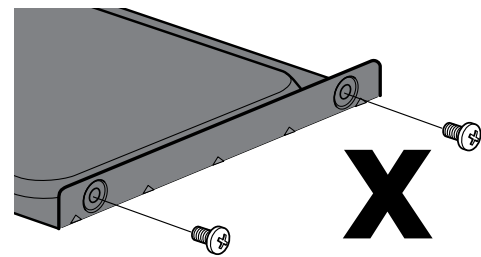
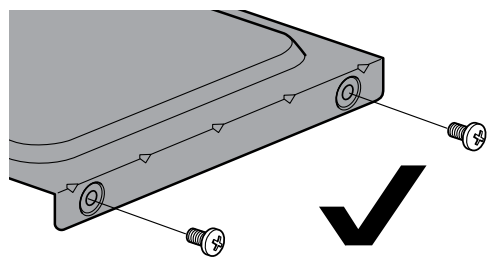
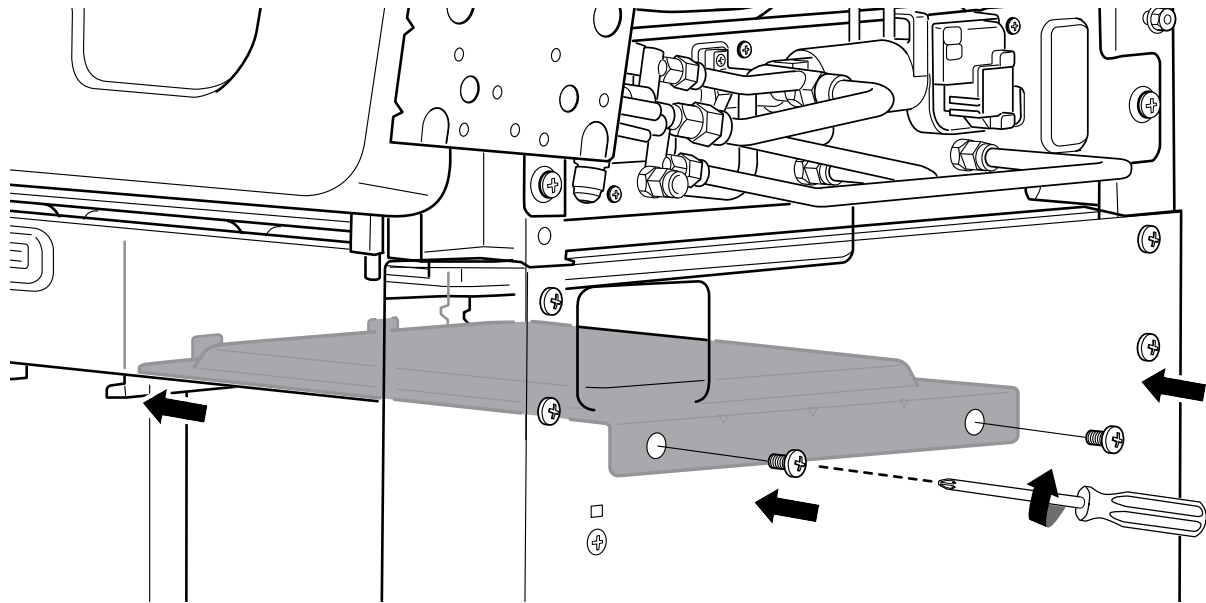
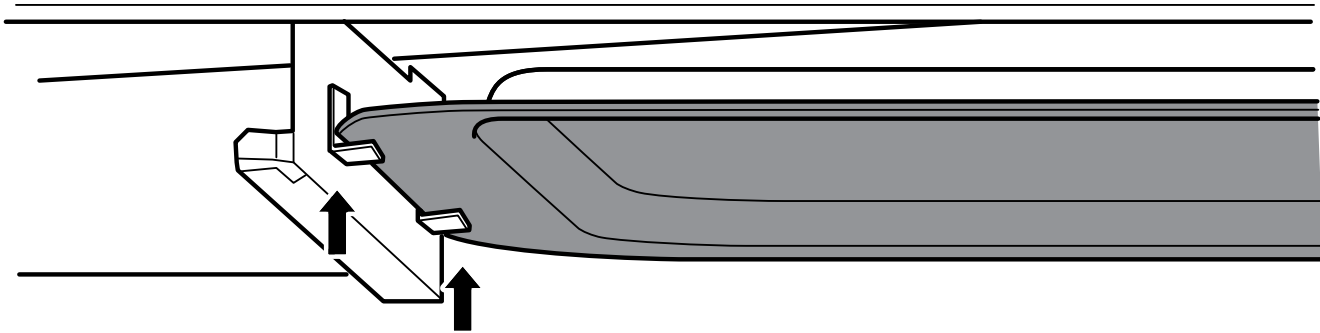
## ASSEMBLY - CONT.

### 15 | PROPANE HEAT SHIELD



1 Install propane heat shield with two screws.

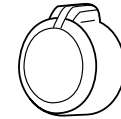
**IMPORTANT:** Ensure heat shield is installed in the correct orientation. Reference images for correct orientation. Installing in the incorrect orientation may lead to grease buildup.



### 16 | CONTROL DIALS

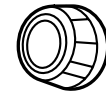


**NOTE:** No screws needed; press burner dial in place according to the images below.

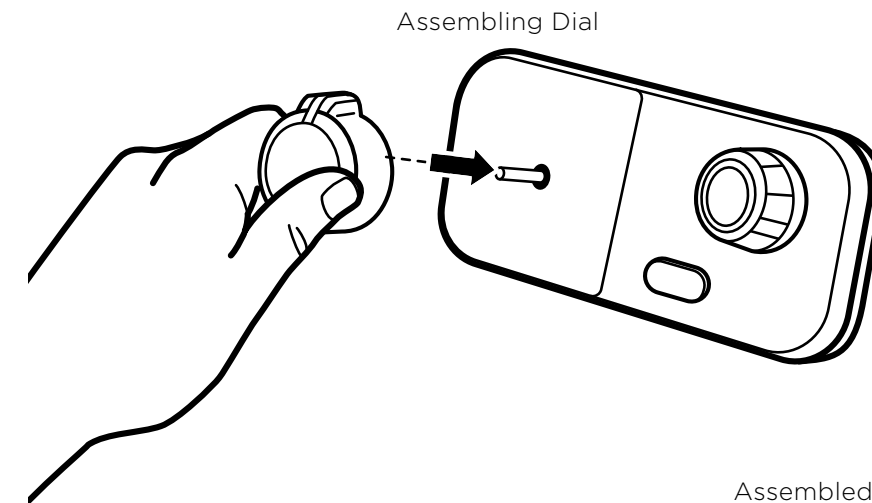


BURNER DIAL

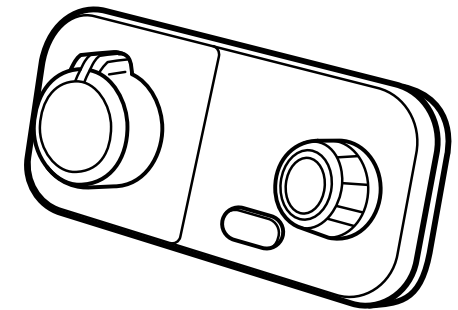
**NOTE:** Comes pre-installed.



TEMPERATURE CONTROL DIAL

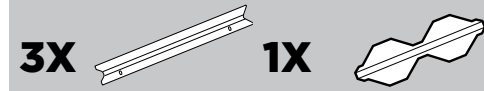


Assembled Control Dial Placement



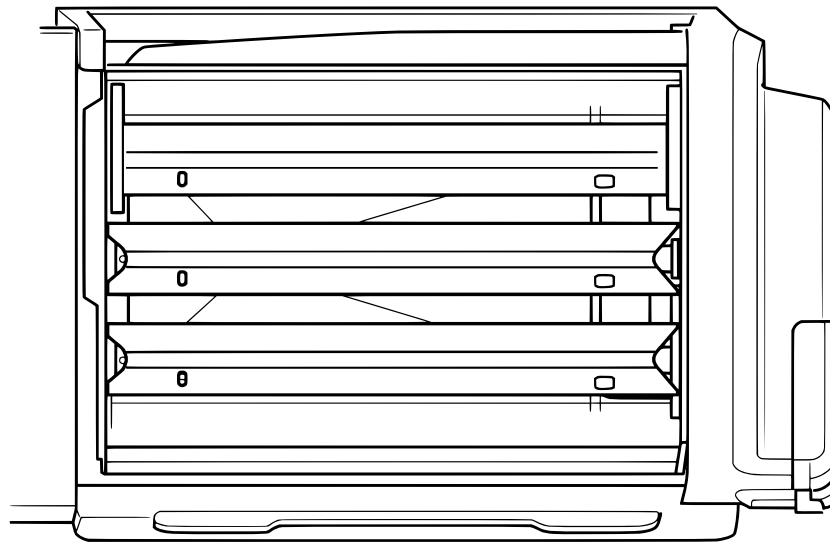
## ASSEMBLY - CONT.

### 17 | FLAME TAMERS

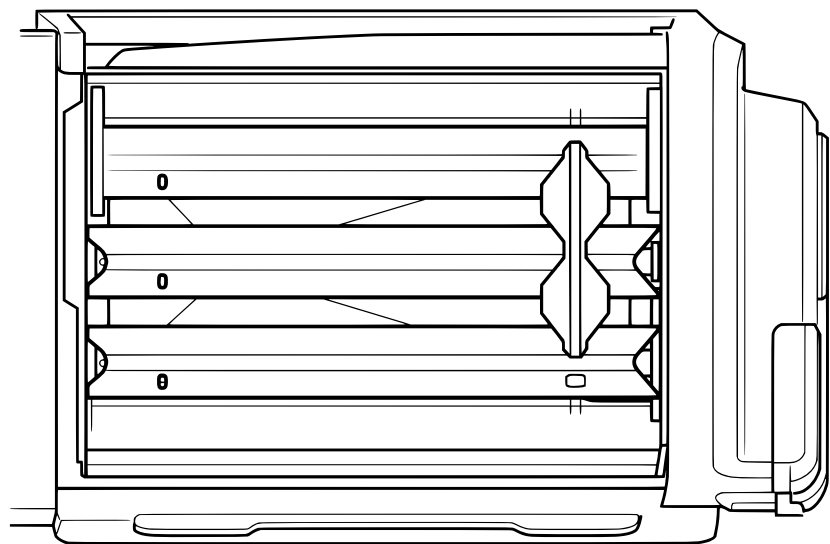


- 1 Install main burner flame tamers (x3). Make sure the peep holes on tamers are facing forward.
- 2 Install pilot burner flame tamer on top of main burner flame tamers, along the right side. (see diagram below)

MAIN BURNER FLAME TAMERS



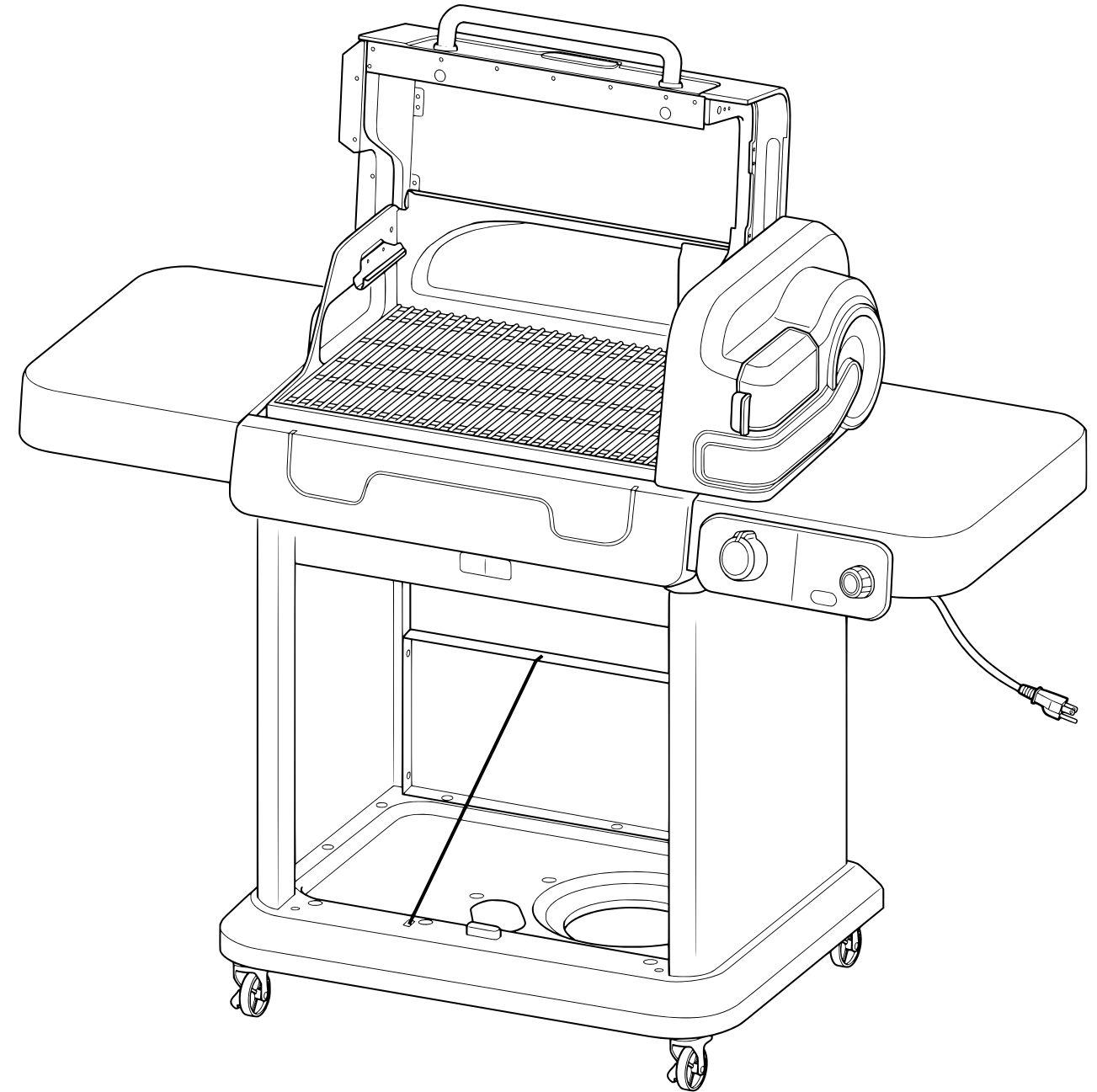
PILOT BURNER FLAME TAMER



### 18 | GRILL GRATES



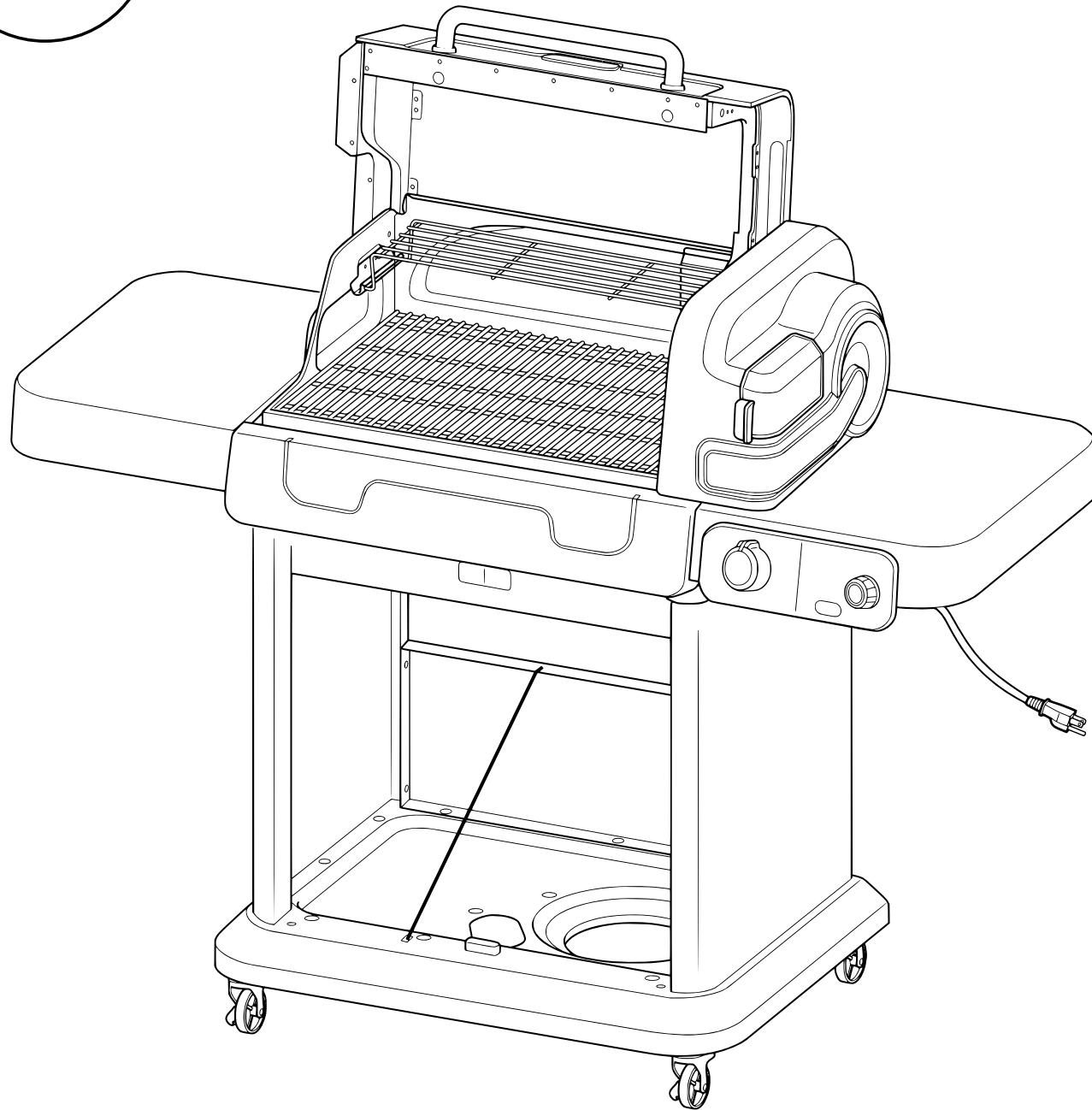
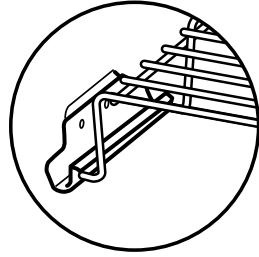
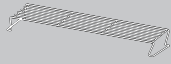
**NOTE:** Grates are reversible and can be placed with either side facing up.



## ASSEMBLY - CONT.

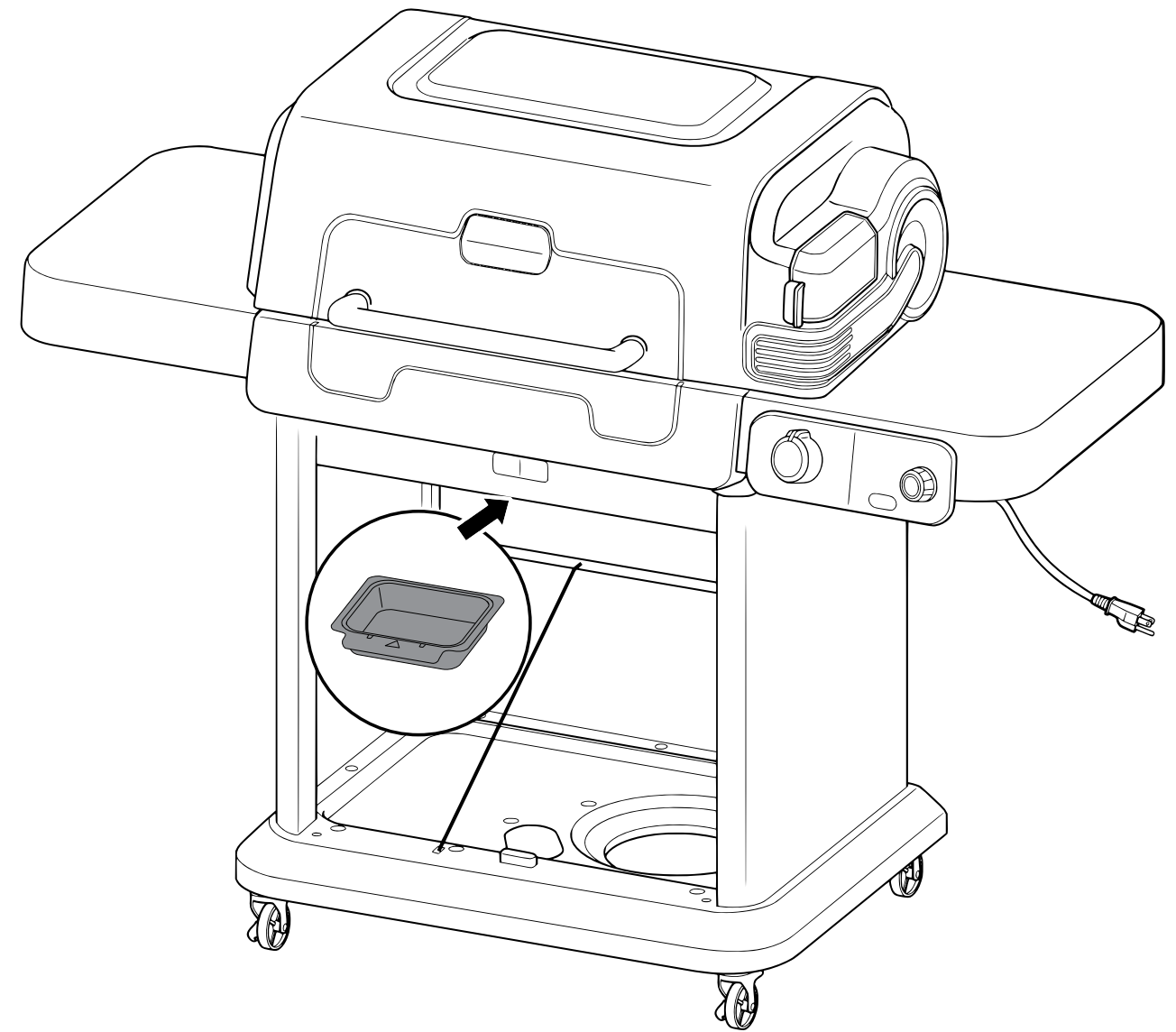
### 19 | TOP COOKING RACK

1X



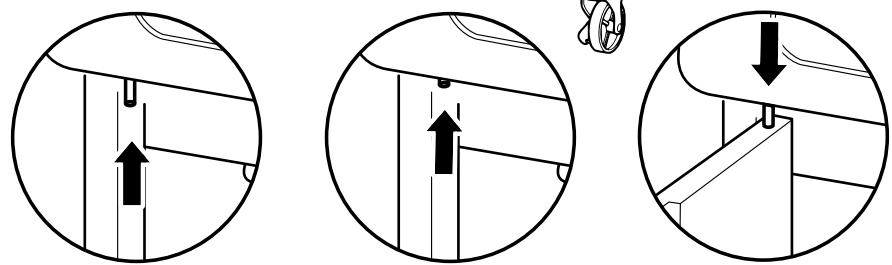
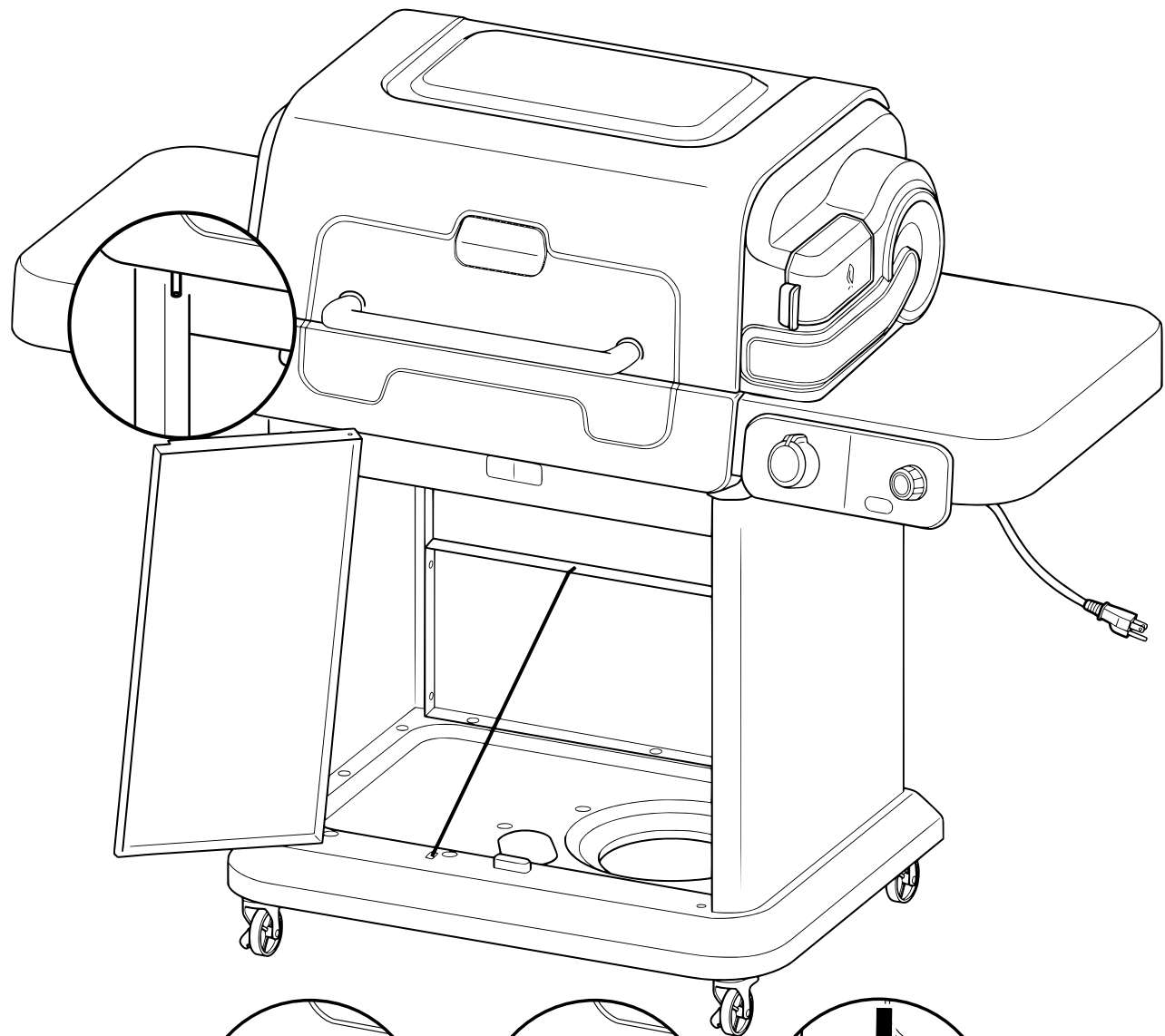
### 20 | GREASE TRAY

1X



# ASSEMBLY - CONT.

## 21 | LEFT CABINET DOOR



## 22 | RIGHT CABINET DOOR

