

NUTRI NINJA®

Ninja®

BlendMax DUO™


BL2000

Series • Série • Serie

INSTRUCTIONS
INSTRUCCIONES



 ninjakitchen.com


 1-877-646-5288

THANK YOU

for purchasing the Nutri Ninja® | Ninja® BlendMax DUO™

REGISTER YOUR PURCHASE

 ninjakitchen.com

 1-877-646-5288



TIP: You can locate the model number and date code on the plug prong.

RECORD THIS INFORMATION

Model Number: _____

Date Code: _____

Date of Purchase (Keep receipt): _____

TECHNICAL SPECIFICATIONS

Voltage: 120V, 60Hz

Watts: 1600W

PLEASE READ CAREFULLY AND KEEP FOR FUTURE REFERENCE.

These instructions are designed to help you get a complete understanding of your new Nutri Ninja | Ninja BlendMax DUO.

If you have any questions, please call our customer service line at 1-877-646-5288.

CONTENTS

Important Safety Instructions	3
Getting to Know Your Nutri Ninja® Ninja® BlendMax DUO™ . 7	
Features	9
Before First Use	10
Using Your Nutri Ninja Cups	11
Using Your MAX 88 oz. Total Crushing® Pitcher	15
Suggested Uses & Filling Instructions	19
Filling Your Nutri Ninja Cup	19
Ordering Replacement Parts	19
Care & Maintenance	20
Cleaning	20
Storing.....	20
Resetting the Motor Thermostat.....	20
Troubleshooting Guide	21
Warranty	22

IMPORTANT SAFETY INSTRUCTIONS

PLEASE READ CAREFULLY BEFORE USE • FOR HOUSEHOLD USE ONLY

⚠ WARNING

To reduce the risk of injury, fire, electrical shock or property damage, basic safety precautions must always be followed, including the following numbered warnings and subsequent instructions.

- 1** Read all instructions prior to using the appliance and its accessories.
- 2** Carefully observe and practice all warnings and instructions. This unit contains electrical connections and moving parts that potentially present risk to the user.
- 3** This product is provided with a stacked blade assembly. Always exercise care when handling the stacked blade assembly. The stacked blade assembly is sharp and is NOT locked to the container. It is designed to be removable to facilitate cleaning and replacement if needed. ONLY grasp the stacked blade assembly by the top of the shaft. Failure to use care when handling the stacked blade assembly will result in a risk of laceration.
- 4** ALWAYS exercise care when handling the Pro Extractor Blades® Assembly. The blades are sharp. ONLY grasp the Pro Extractor Blades Assembly by the outer perimeter of the blade assembly base. Failure to use care when handling the blade assembly will result in a risk of laceration.
- 5** Take your time and exercise care during unpacking and appliance setup. This appliance contains sharp, loose blades that can cause injury if mishandled.
- 6** Take inventory of all contents to ensure that you have all parts needed to properly and safely operate your appliance.
- 7** Unplug the appliance from the outlet when not in use, before assembling or disassembling parts, and before cleaning. To unplug, grasp the plug by the body and pull from the outlet. Never unplug by grasping and pulling the flexible cord.
- 8** Wash all parts that may contact food before use. Follow washing instructions covered in this Instruction Guide.
- 9** To protect against the risk of electric shock, DO NOT submerge the appliance or allow the power cord to contact any form of liquid.
- 10** DO NOT use this appliance outdoors. It is designed for indoor household use only.

-
- 11** This appliance has a polarized plug (one blade is wider than the other). To reduce the risk of electric shock, this plug will fit in a polarized outlet only one way. If the plug does not fit fully in the outlet, reverse the plug. If it still does not fit, contact a qualified electrician. DO NOT modify the plug in any way.
- 12** DO NOT operate any appliance with a damaged cord or plug, or after the appliance malfunctions or is dropped or damaged in any manner. This appliance has no user-serviceable parts. If damaged, contact SharkNinja for servicing.
- 13** If the supply cord is damaged, it must be replaced by the manufacturer, its service agent, or similar qualified persons in order to avoid a hazard.
- 14** Extension cords should not be used with this appliance.
- 15** DO NOT allow young children to operate this appliance or use as a toy. Close supervision is necessary when any appliance is used near children.
- 16** This appliance is not intended to be used by people (including children) with reduced physical, sensory, or mental capabilities, or lack of experience and knowledge, unless they have been given supervision or instruction concerning use of the appliance by a person responsible for their safety.
- 17** Before each use, inspect blade assemblies for damage. If a blade is bent or damage is suspected, contact SharkNinja to arrange for replacement.
- 18** DO NOT attempt to sharpen blades.
- 19** DO NOT allow the cord to hang over the edge of tables or counters. The cord may become snagged and pull the appliance off of the work surface.
- 20** DO NOT allow the cord to hang over the edge of table or counter or to contact hot surfaces, including stoves and other heating appliances.
- 21** ALWAYS use the appliance on a dry and level surface.
- 22** NEVER place a blade assembly on the motor base without it first being attached to its corresponding container (pitcher or cup) and lid.

CONTINUED ON PAGE 5

SAVE THESE INSTRUCTIONS

IMPORTANT SAFETY INSTRUCTIONS

PLEASE READ CAREFULLY BEFORE USE • FOR HOUSEHOLD USE ONLY

WARNING

To reduce the risk of injury, fire, electrical shock or property damage, basic safety precautions must always be followed, including the following numbered warnings and subsequent instructions.

- 23** Keep hands, hair, and clothing out of the container when loading and operating.
- 24** ONLY use attachments and accessories that are provided with the product or are recommended by SharkNinja.
- 25** During operation and handling of the appliance, avoid contact with moving parts.
- 26** DO NOT operate the appliance with an empty container.
- 27** DO NOT fill containers past the max fill or max liquid lines.
- 28** DO NOT microwave any containers or accessories provided with the appliance.
- 29** DO NOT perform grinding operations with the Nutri Ninja® Cups and Pro Extractor Blades® Assembly.
- 30** Before operation, ensure that all utensils are removed from containers. Failure to remove utensils can cause containers to shatter and potentially result in personal injury and property damage.
- 31** Keep hands and utensils out of container while blending to reduce the risk of severe injury to persons or damage to the blender. A scraper may be used but must be used ONLY when the blender is not running.
- 32** NEVER operate the appliance without lids and caps in place. DO NOT attempt to defeat the interlock mechanism. Ensure that the container and lid are properly installed before operation.
- 33** DO NOT expose the containers and accessories to extreme temperature changes. They may experience damage.
- 34** NEVER leave the appliance unattended while in use.
- 35** DO NOT open pour spout cover while blender is operating.
- 36** DO NOT blend hot liquids. Doing so may result in a pressure buildup and steam exposure that can pose a risk of the user being burned.

-
- 37** If you find unmixed ingredients sticking to the sides of the pitcher, stop the appliance, remove the lid, and use a spatula to dislodge ingredients. NEVER insert your hands into the pitcher, as you may contact one of the blades and experience a laceration.
- 38** DO NOT attempt to remove the container and lids from the motor base while the motor and blade assembly is still spinning. Allow the appliance to come to a complete stop before removing lids and containers.
- 39** Upon completion of processing, ensure that the stacked blade assembly is removed BEFORE emptying pitcher contents. The stacked blade assembly is to be removed by grasping the top of the shaft and lifting from the pitcher. Failure to remove the stacked blade assembly before emptying the pitcher results in a risk of laceration.
- 40** Remove the Pro Extractor Blades® Assembly from the Nutri Ninja® Cup upon completion of blending. Do not store ingredients before or after blending them in the cup with the blade assembly attached. Some foods may contain active ingredients or release gases that will expand if left in a sealed container, resulting in excessive pressure buildup that can pose a risk of injury. For ingredient storage in the cup, use only Spout Lid to cover.
- 41** If the appliance overheats, a thermal switch will activate and temporarily disable the motor. To reset, unplug the appliance and allow it to cool for approximately 15 minutes before using again.
- 42** The maximum wattage rating for this appliance is based on the configuration of the stacked blade assembly and MAX 88 oz. Total Crushing® Pitcher. Other configurations may draw less power or current.

SAVE THESE INSTRUCTIONS

GETTING TO KNOW YOUR NUTRI NINJA® | NINJA® BLENDMAX DUO™

WELCOME!

Congratulations on your purchase. Use this Owner's Guide to learn about the great features of your Nutri Ninja | Ninja BlendMax DUO. From assembly to use to maintenance, you will find it all in here.

.....

There are a variety of accessories that are compatible with this blender series.

NOTE: The top flap of your box shows the select accessories that are included with your model.

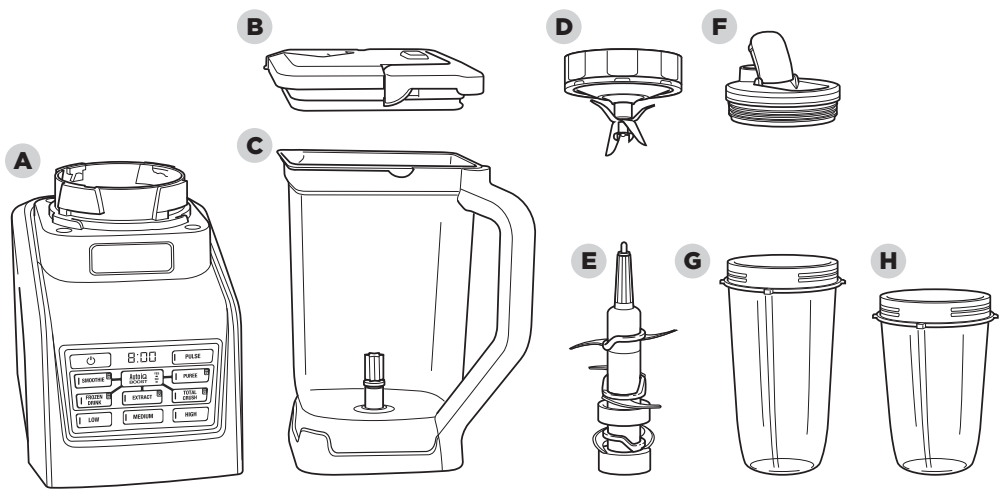
If you have any questions, concerns or feedback, we'd love to hear from you. Give us a call at 1-877-646-5288 or visit ninjakitchen.com/customersupport

To learn more about our products and to find great recipes, please visit ninjakitchen.com

* 80 oz. max liquid capacity.

MAIN UNIT

- A** Motor Base
- B** Pitcher Lid
- C** MAX 88 oz. Total Crushing® Pitcher*
- D** Pro Extractor Blades® Assembly
- E** Stacked Blade Assembly
- F** Spout Lid
- G** 24 oz. Tritan™ Nutri Ninja Cup
- H** 18 oz. Tritan Nutri Ninja Cup

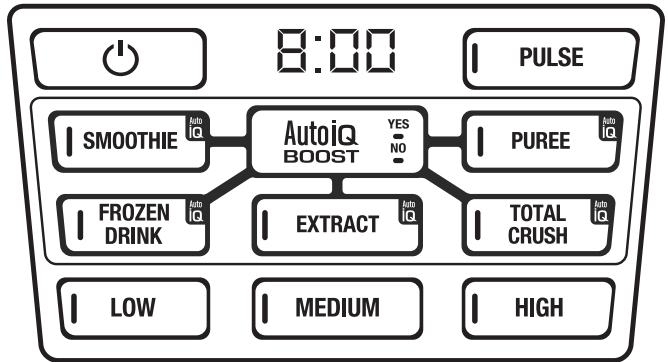


FEATURES

★ **IMPORTANT:** Review all warnings on pages 3-6 before proceeding.

DID YOU KNOW?

- You can take your drinks on the go using the Spout Lids.
- All containers and lids are BPA free.
- Our blades, containers and lids are all dishwasher safe.



PULSE

Offers greater control of pulsing and blending. Operates only when the PULSE button is pressed. Use short presses for short pulses.

LOW/MED/HI

Select your preferred speed for ultimate control.

Auto-iQ BOOST™

Adds time to any Auto-iQ program so you can control the consistency of your recipes. The BOOST button toggles between YES and NO: select BOOST YES for smoother, creamier results; select BOOST NO for more texture.

Auto-iQ™ EXTRACT

Ideal for hard, leafy, or fibrous whole fruits and vegetables, including their skins, seeds, and stems.

Auto-iQ SMOOTHIE

Great for creamy, super-smooth drinks made from frozen fruit, ice or dairy products.

Auto-iQ PUREE

Automatically blends your ingredients to create silky-smooth dips, sauces and soups.

Auto-iQ FROZEN DRINK

Takes all the guesswork out of turning ice, juices and fruit into expertly blended frozen drink.

Auto-iQ TOTAL CRUSH

Crushes ice cubes (including ones made with coffee or juice) to create snow cones and granitas. Also pulverizes frozen berries into powder for a unique twist on frozen desserts.

BEFORE FIRST USE

- 1** Remove all packaging materials from the appliance. Exercise care when unpacking blade assemblies. All blade assemblies are sharp.
- 2** The stacked blade assembly is NOT locked in place in its containers. Handle the stacked blade assembly by grasping the top of the shaft.
- 3** Handle the Pro Extractor Blades® Assembly by grasping around the perimeter of the blade assembly base.
- 4** Wash containers, lids and blade assemblies in warm, soapy water using a dishwashing utensil with a handle to avoid direct contact with the blades. Exercise care when handling blade assemblies, as the blades are sharp.
- 5** Thoroughly rinse and air-dry all parts.
- 6** All attachments are dishwasher safe. It is recommended that the lids and blade assemblies be placed on the top rack of the dishwasher. Ensure that blade assemblies are removed from their containers before placing in the dishwasher. Exercise care when handling blade assemblies.
- 7** Wipe the motor base with a clean, damp cloth.

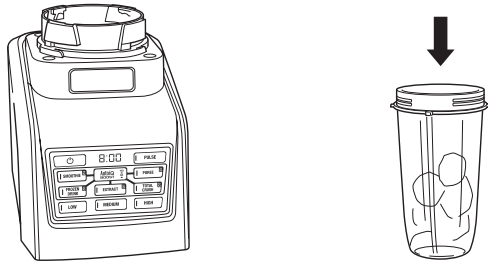
USING YOUR NUTRI NINJA® CUPS

★ **IMPORTANT:** Review all warnings on pages 3-6 before proceeding.

.....

💡 **TIP:** For recommended loading instructions, check out page 19.

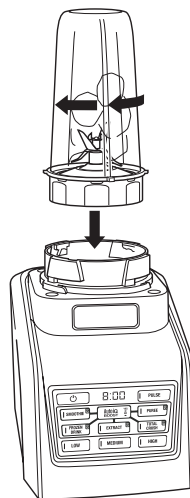
NOTE: Auto-IQ™ programs have pauses and changes in speed throughout the cycle.



- 1** Place the unplugged motor base on a clean, dry, and level surface such as a countertop or table. Press downward on the motor base to adhere the suction cups to the work surface. Ensure the motor base is connected to power.
- 2** Add ingredients to the Nutri Ninja Cup. DO NOT add ingredients past the Max Liquid line on the cup.



- 3** Install the Pro Extractor Blades® Assembly onto the top of the cup. Twist the lid clockwise until it's sealed tightly.



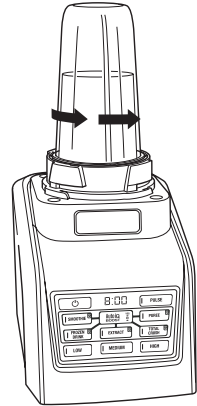
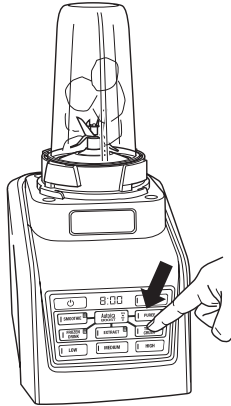
- 4** Turn the Nutri Ninja® Cup upside down and install onto the motor base. Align the tabs on the cup with the slots on the base, then twist until you hear a click. When the unit is connected to power and the container is correctly locked on to the motor base, the program buttons will illuminate and the unit is ready for use.

USING YOUR NUTRI NINJA® CUPS

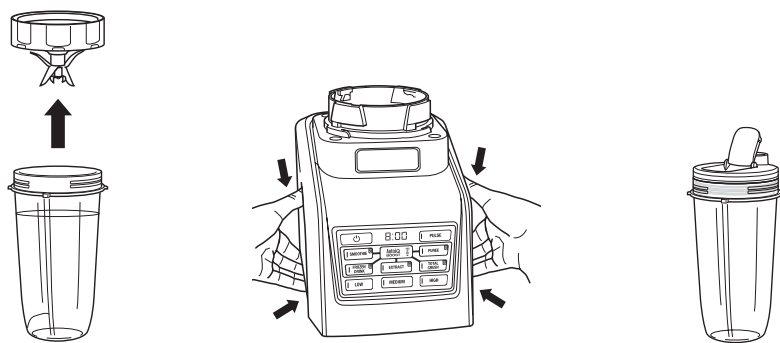
★ **IMPORTANT:** Review all warnings on pages 3-6 before proceeding.

.....

NOTE: Auto-iQ™ programs have pauses and changes in speed throughout the cycle. For program descriptions, reference page 9.



- 5** Select the program that best suits your recipe. The Auto-iQ™ feature will automatically stop the appliance at the end of the program. Non-Auto-iQ settings will continue to run until the appliance is stopped. To pause the appliance at any time, press the currently active button a second time. Reference page 9 for program descriptions.
- 6** To remove the cup from the motor base, turn the cup counterclockwise and then lift it off the motor base.



- 7** Remove the Pro Extractor Blades[®] Assembly by twisting the cap counter-clockwise. Exercise care when handling the blade assembly, as the blades are sharp. Do not store blended contents with the Pro Extractor Blades Assembly attached.
- 8** Unplug the appliance when finished and release the motor base from the work surface. To release the motor base, gently pull it toward you. Refer to page 20 for storing instructions.
- 9** To enjoy your drink on the go, place the Spout Lid onto the Nutri Ninja[®] Cup and twist clockwise until firmly sealed. For storage, only use Spout Lid to cover.

USING YOUR MAX 88 OZ. TOTAL CRUSHING® PITCHER

★ **IMPORTANT:** Review all warnings on pages 3-6 before proceeding.

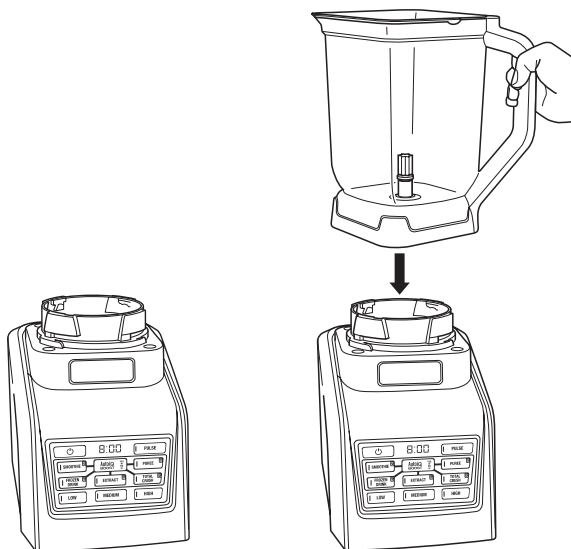
💡 **TIP:** Select BOOST YES when you want a thinner, finer consistency. Use BOOST NO when you want more texture.

💡 **TIP:** If the stacked blade assembly is not fully seated, you will not be able to install and lock the lid into position.

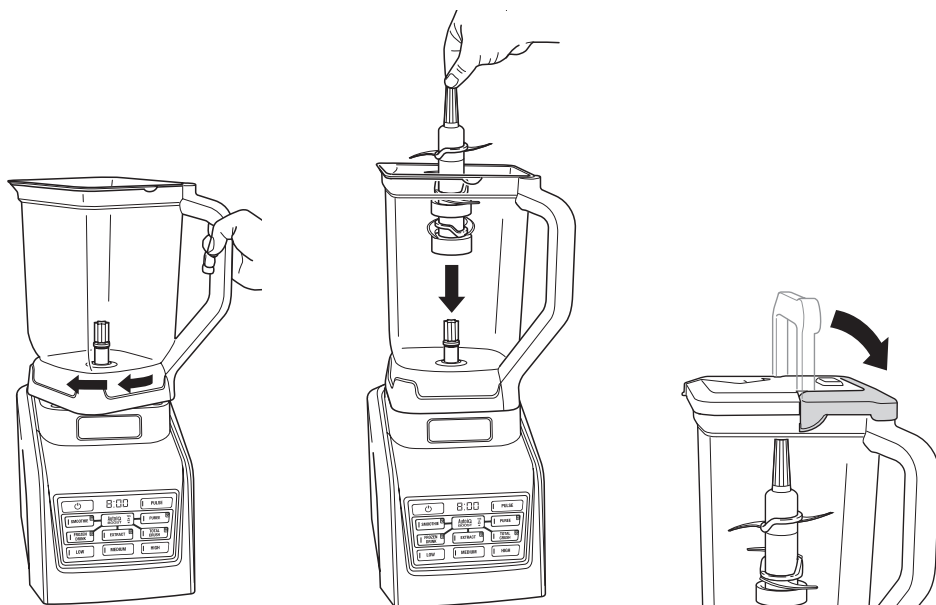
💡 **TIP:** To learn more about the unit's programs, check out page 9.

NOTE: DO NOT add ingredients before completing installation of the stacked blade assembly.

NOTE: The pitcher can be installed in two different orientations. The handle can be positioned on the front-right corner of the motor base or the front-left corner of the motor base.



- 1** Plug in motor base and place on a clean, dry, level surface such as a countertop or table. Press downward on the motor base to adhere the suction cups to the work surface.
- 2** Lower the pitcher onto the motor base. The handle should be aligned slightly to the right and the pitcher should be oriented so the LOCK symbols are visible on the motor base. Then rotate the container to the left until you hear a click.



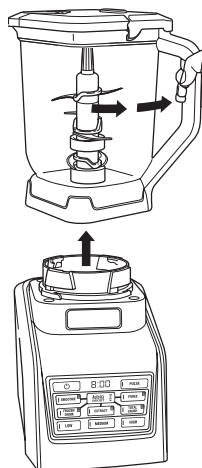
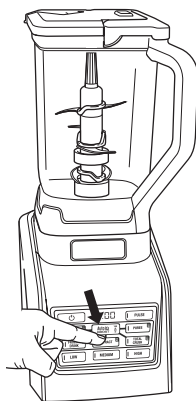
- 3** Exercising care, grasp the stacked blade assembly by the top of the shaft and place it onto the drive gear inside the pitcher. Note that the blade assembly will fit loosely onto the drive gear.
- 4** Add ingredients to the pitcher, making sure not to exceed the Max Fill line on the side of the pitcher. When blending any kind of liquids, such as beverages or smoothies, **DO NOT** exceed the MAX Liquid line on the side of the pitcher.
- 5** Place the lid on the pitcher, aligning the triangle symbol located on the lid with the triangle symbol located on the pitcher's handle. Press down on the handle until you hear a click. The triangle symbols **MUST** be aligned for the lid to lock into place and the appliance to operate. When the unit is connected to power and the container is correctly locked into the motor base, the program buttons will illuminate and the unit is ready for use.

USING YOUR MAX 88 OZ. TOTAL CRUSHING® PITCHER - CONT.

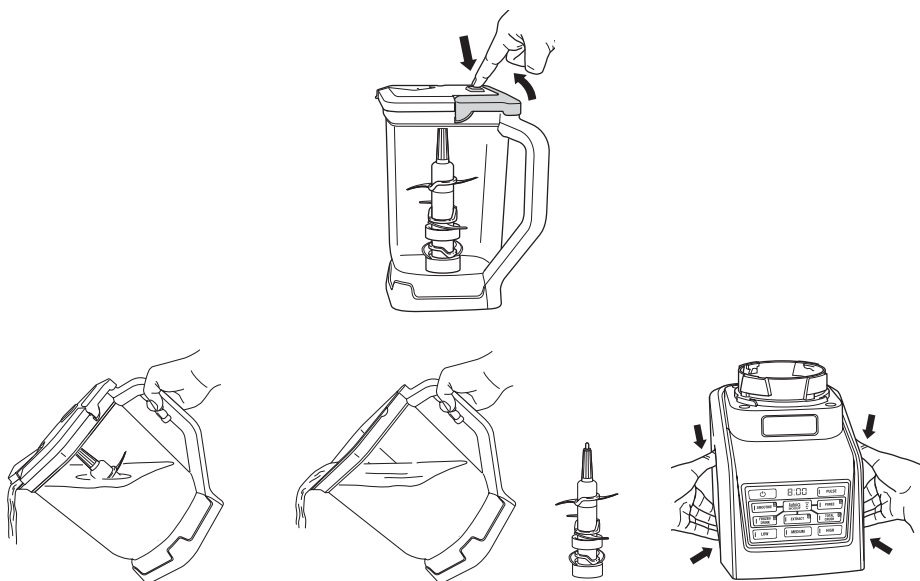
★ **IMPORTANT:** Review all warnings on pages 3-6 before proceeding.

★ **IMPORTANT:** As a safety feature, the power light will flash and the motor will be disabled if the pitcher and lid are not properly installed. If this happens, repeat step 5 on page 16. When the pitcher and lid are properly installed, the power light will illuminate solid, indicating the appliance is ready for use.

.....
NOTE: For even blending, PLUSE ingredients in short intervals. For program descriptions, reference page 9.



- 6 Select the speed or Auto-iQ™ program that best suits your recipe. The Auto-iQ feature will automatically stop the appliance at the end of the program. Non-Auto-iQ settings will continue to run until the appliance is stopped. To pause the appliance at any time, press the currently active button a second time.
- 7 When ingredients have reached your desired consistency, stop the appliance by pressing the power button, and wait for the appliance to come to a complete stop.
- 8 To remove the pitcher from the motor base, turn the pitcher counterclockwise and then lift it off the motor base.



- 9** For thinner mixtures, ensure that the lid is locked into place, open the pour spout cap on the lid and use the pour spout to empty contents of the pitcher.
- 10** For thicker mixtures that cannot be emptied through the pour spout, remove the lid and stacked blade assembly before pouring. To remove the lid, press the **RELEASE** button on the lid and lift the handle. The lid can then be removed from the pitcher. To remove the stacked blade assembly, carefully grasp the blade assembly by the top of the shaft and remove from the Pitcher. The pitcher can then be emptied.
- 11** Unplug the appliance when finished and release the motor base from the work surface. To release the motor base, place your hands underneath it and gently pull it toward you. Refer to page 20 for storing instructions.

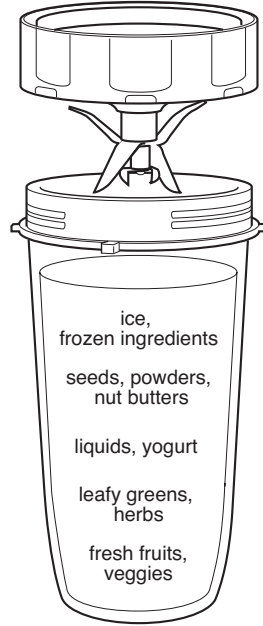
SUGGESTED USES & FILLING INSTRUCTIONS

★ **IMPORTANT:** Review all warnings on pages 3-6 before proceeding.

.....

ORDERING REPLACEMENT PARTS

To order additional parts and attachments, please visit ninjakitchen.com or contact customer service at 1-877-646-5288.



FILLING YOUR NUTRI NINJA® CUP

For best results, always follow recipe directions when filling your Nutri Ninja Cups. When you're not using a recipe, use the following guidelines:

Start with fresh fruit or veggies (for best results, cut ingredients in 1-inch chunks). Next add leafy greens or herbs, followed by any liquids like water, juice, milk, or yogurt. Then add seeds, powders or nut butters. Lastly, add ice or frozen ingredients. Remember to securely tighten the Pro Extractor Blades® Assembly and don't overfill the cup.

CARE & MAINTENANCE

CLEANING

- 1 Separate all parts.
- 2 Wash all containers in warm, soapy water with a soft cloth.

3 Hand Washing

Wash blade assemblies in warm, soapy water using a dishwashing utensil with a handle to avoid direct contact with the blades. Exercise care when handling blade assemblies as the blades are sharp. Thoroughly rinse and air-dry all parts.

Dishwasher

All attachments are dishwasher safe. It is recommended that the lids and blade assemblies be placed on the top rack of the dishwasher. Ensure that blade assemblies are removed from their containers before placing in the dishwasher. Exercise care when handling blade assemblies

- 4 Wipe the motor base with a clean, damp cloth. Allow time to dry before operation.

STORING

Store the unit upright and store all blade assemblies inside or attached to their respective containers with their lids locked into place.

DO NOT store blended or unblended ingredients in the Nutri Ninja® Cup with the blade assembly attached.

DO NOT stack items on top of the containers. Store any remaining attachments alongside the appliance or in a cabinet where they will not be damaged or create a hazard.

RESETTING THE MOTOR THERMOSTAT

This appliance features a unique safety system that prevents damage to the motor and drive system should you inadvertently overload the appliance. If the appliance is overloaded, the motor will be temporarily disabled. Should this occur, follow the reset procedure below.

- 1 Unplug the appliance from the electrical outlet.
- 2 Allow the appliance to cool for approximately 15 minutes.
- 3 Remove the container lid and blade assembly. Empty the container and ensure no ingredients were jamming the blade assemblies.
- 4 Reset the unit in accordance with the applicable instructions for the container and blade type.

IMPORTANT: Ensure that maximum capacities are not exceeded. This is the most typical cause of appliance overload.

If your unit needs servicing, please call Customer Service at 1-877-646-5288.

TROUBLESHOOTING GUIDE

⚠ WARNING: To reduce the risk of shock and unintended operation, turn power off and unplug unit before troubleshooting.

Motor doesn't start or blade assembly doesn't rotate.

- Make sure the container is securely placed on motor base.
- Make sure the lid is securely on container in the correct position (align arrows).
- The appliance is turned off. Press the power button (Ⓛ) to turn on.
- Check that the plug is securely inserted into the electrical outlet.
- Check the fuse or circuit breaker.
- The unit has overloaded. The appliance will stop and the power light will flash. Unplug and wait approximately 15 minutes before using again.
- The unit has overheated. Unplug and wait approximately 15 minutes before using again.
- Check to make sure the unit is not overloaded.

Food is chopped too fine or is too watery.

- The food has been over-processed. Use PULSE button for controlled processing.

Food collects on lid or on the sides of the container.

- The mixture is too thick. Add more liquid.

You cannot create snow from solid ice.

- Do not use ice that has been sitting out or has started to melt. Use ice straight from the freezer.
- Start with a few pulses and then go to a continuous blending cycle.

Motor base won't stick to counter or tabletop.

- Make sure surface and suction feet are wiped clean. Suction feet will only stick to smooth surfaces. Suction feet WILL NOT stick on some surfaces such as wood, tile and non-polished finishes.
- DO NOT attempt to use appliance when the motor base is stuck to a surface that is not secure (cutting board, platter, plates, etc.).

You get an "ERR" message.

- Your Nutri Ninja® | Ninja® BlendMax DUO™ is able to sense which container is on the motor base. You may be trying to use a program that is not designed for the container you have installed. The programs will light up, indicating which programs are available for each container.
- You may also see the "ERR" message if your unit has been running for more than 2 minutes within a brief period of time. If this occurs, please unplug the unit for 1 minute before restarting.

You have a blinking red light.

- The unit is not installed properly. For your safety the unit will only be able to be turned on when it is properly assembled. Please refer to the assembly pages of this Owner's Guide for assistance.

Shark NINJA ONE (1) YEAR LIMITED WARRANTY

The 1-Year Limited Warranty applies to purchases made from authorized retailers of SharkNinja Operating LLC. Warranty coverage applies to the original owner and to the original product only and is not transferable.

SharkNinja warrants that the unit shall be free from defects in material and workmanship for a period of 1 year from the date of purchase when it is used under normal household conditions and maintained according to the requirements outlined in this Owner's Guide, subject to the following conditions and exclusions.

What is covered by my warranty?

1. The original unit and/or non-wearable components deemed defective, in SharkNinja's sole discretion, will be repaired or replaced for up to 1 year from the original purchase date.
2. In the rare event that a replacement unit is issued, the warranty coverage ends six months after the receipt date of the replacement unit or the remainder of the existing warranty, whichever is greater. If the unit is replaced, SharkNinja reserves the right to replace the unit with one of equal or greater value.

What is not covered by my warranty?

Our Customer Care/Product Specialists are available to provide all the warranty service options available to you, including the possibility of upgrading to our VIP Warranty Service Options for select product categories.

1. Normal wear and tear of wearable parts (including all blending vessels, lids, blades and blender base) which require regular maintenance and/or replacement to ensure the proper functioning of your unit are not covered by this warranty.
2. Any unit that has been tampered with or used for commercial purposes.
3. SharkNinja will cover the cost for the customer to send the unit to us for repair or replacement. A fee of \$19.95 for return shipping costs will be charged at the time of return shipment of the repaired or replacement unit.
4. Damage caused by misuse, abuse, or negligent handling, or damage due to mishandling in transit.
5. Consequential and incidental damages.
6. Defects caused by or resulting from damages from shipping or from repairs, service, or alteration to the product or any of its parts which have been performed by a repair person not authorized by SharkNinja.
7. Products purchased, used or operated outside of North America.

Problems with your unit/How to get service:

If your appliance fails to operate properly while in use under normal household conditions within the warranty period, visit ninjakitchen.com for product care/maintenance self-help. Our customer care and product specialists are also available at 1-877-646-5288 to assist with product support and warranty service options.

How to initiate a warranty claim:

You must first activate your warranty by registering your unit online at ninjakitchen.com/customersupport (Note: Purchases made directly from SharkNinja are automatically registered with us and the warranty activated.) Alternatively, you can call 1-877-646-5288 to have a customer care specialist assist you. Please note, you must call 1-877-646-5288 to initiate a warranty claim. Return and Packing Instruction information will be provided at that time.

The customer care line is open Mon–Fri, 8am–10pm ET and Sat & Sun, 9am–6pm ET.

Replacement parts are available for purchase at ninjakitchen.com. For more information on what is classified as wearable and non-wearable parts, please visit ninjawarranty.com.

This warranty gives you specific legal rights, and you may also have other rights that vary from state to state.

Some states do not permit the exclusion or limitation of incidental or consequential damages, so the above may not apply to you.

MERCI

d'avoir acheté le Nutri Ninja^{MD} | Ninja^{MD} BlendMax DUO



CONSEIL : Vous pouvez trouver le numéro de modèle et le code de date sur les broches de la fiche.

ENREGISTRER VOTRE ACHAT

 ninjakitchen.com

 1-877-646-5288

NOTER LES RENSEIGNEMENTS CI-DESSOUS

Numéro de modèle : _____

Code de la date : _____

Date d'achat (conserver le reçu) : _____

CARACTÉRISTIQUES TECHNIQUES

Tension électrique : 120V, 60Hz

Watts : 1600W

VEUILLEZ LIRE CE MANUEL SOIGNEUSEMENT ET LE CONSERVER POUR RÉFÉRENCE ULTÉRIEURE.

Ces instructions ont été conçues pour vous aider à bien comprendre le fonctionnement de votre nouveau Nutri Ninja | Ninja BlendMax DUO.

Pour toute question, veuillez communiquer avec le service à la clientèle au 1-877-646-5288.

TABLE DES MATIÈRES

Consignes de sécurité importantes	25
Apprendre à connaître votre Nutri Ninja^{MD} Ninja^{MD} BlendMax DUO^{MC}	29
Fonctionnalités	31
Avant la première utilisation	32
Utilisation de vos gobelets Nutri Ninja	33
Utilisation de votre pichet Total Crushing^{MD} MAX de 88 oz.	37
Usages suggérés et instructions de remplissage	41
Remplissage de votre gobelet Nutri Ninja	41
Commande de pièces de rechange	41
Soins et entretien	42
Nettoyage	42
Rangement	42
Réinitialisation du thermostat du moteur	42
Guide de dépannage	43
Garantie	44

CONSIGNES DE SÉCURITÉ IMPORTANTES

VEUILLEZ LES LIRE ATTENTIVEMENT AVANT UTILISATION • POUR USAGE DOMESTIQUE SEULEMENT

⚠ AVERTISSEMENT

Pour réduire le risque de blessure, d'incendie, de décharge électrique ou de dommages matériels, des mesures de sécurité de base doivent toujours être respectées, comme les avertissements numérotés ci-dessous et les instructions qui les suivent.

- 1** Lisez toutes les instructions avant d'utiliser l'appareil et ses accessoires.
- 2** Respectez attentivement tous les avertissements et toutes les instructions. Cet appareil contient des raccordements électriques et des pièces mobiles pouvant exposer l'utilisateur à certains risques.
- 3** Ce produit est fourni avec un jeu de lames superposées. Soyez toujours prudent lorsque vous manipulez le jeu de lames superposées. Le jeu de lames superposées est tranchant et N'EST PAS verrouillé avec le contenant. Il est conçu pour être amovible afin de faciliter le nettoyage et le remplacement, au besoin. Saisissez le jeu de lames superposées UNIQUEMENT par le haut de la tige. Ne pas faire preuve de prudence lors de la manipulation du jeu de lames superposées se traduira par un risque de lacération.
- 4** Soyez TOUJOURS prudent lorsque vous manipulez le jeu de lames Pro Extractor BladesMD. Les lames sont tranchantes. Saisissez le jeu de lames Pro Extractor UNIQUEMENT par la circonférence extérieure de la base du jeu de lames. Ne pas faire preuve de prudence lors de la manipulation du jeu de lames se traduira par un risque de lacération.
- 5** Prenez votre temps et faites preuve de prudence pendant le déballage et l'installation de l'appareil. Cet appareil contient des lames tranchantes et lâches qui peuvent causer des blessures en cas de mauvaise manipulation.
- 6** Faites l'inventaire de tout le contenu pour vous assurer que vous avez toutes les pièces nécessaires pour faire fonctionner votre appareil correctement et en toute sécurité.
- 7** Débranchez l'appareil de la prise électrique lorsqu'il n'est pas utilisé, avant de monter ou de démonter des pièces ainsi qu'avant le nettoyage. Pour le débrancher, saisissez le corps de la fiche et tirez-la de la prise électrique. Ne le débranchez jamais en tirant sur le cordon flexible.
- 8** Avant l'utilisation, lavez toutes les pièces qui peuvent entrer en contact avec les aliments. Suivez les instructions de lavage fournies dans ce Guide d'instructions.
- 9** Pour éviter le risque de décharge électrique, NE SUBMERGEZ PAS l'appareil ou ne laissez pas le cordon d'alimentation entrer en contact avec tout type de liquide.
- 10** N'UTILISEZ PAS cet appareil à l'extérieur. Il est conçu pour un usage domestique intérieur uniquement.

- 11** Cet appareil est muni d'une fiche polarisée (une lame est plus large que l'autre). Pour réduire le risque de décharge électrique, cette fiche sera insérée dans une prise polarisée dans un seul sens. Si la fiche ne s'insère pas entièrement dans la prise, inversez-la. Si elle ne s'insère toujours pas, communiquez avec un électricien accrédité. Vous **NE DEVEZ PAS** modifier la prise d'aucune façon.
- 12** **N'UTILISEZ PAS** un appareil si : son cordon ou sa fiche est endommagé; il ne fonctionne pas bien; ou il a été échappé ou endommagé de quelque façon que ce soit. Cet appareil ne comporte aucune pièce qui peut être réparée par l'utilisateur. S'il est endommagé, communiquez avec SharkNinja pour l'entretien.
- 13** Si le cordon d'alimentation est endommagé, il doit être remplacé par le fabricant, son agent d'entretien, ou d'autres personnes qualifiées afin d'éviter un danger.
- 14** On ne doit pas utiliser de rallonges avec cet appareil.
- 15** **NE PERMETTEZ PAS** aux jeunes enfants d'utiliser l'appareil ou de s'en servir comme jouet. Une surveillance étroite est nécessaire lorsqu'un appareil est utilisé en présence d'enfants.
- 16** Cet appareil n'est pas prévu pour être utilisé par des personnes (enfants compris) avec des capacités physiques, sensorielles ou mentales réduites ou manquant d'expérience et de connaissances, à moins qu'elles soient supervisées ou aient été instruites concernant l'utilisation de l'appareil par une personne responsable de leur sécurité.
- 17** Avant chaque utilisation, inspectez les jeux de lames pour la présence de dommages. Si une lame est tordue ou que vous soupçonnez des dommages, communiquez avec SharkNinja pour organiser le remplacement.
- 18** **NE TENTEZ PAS** d'aiguiser les lames.
- 19** **NE LAISSEZ PAS** le cordon pendre au bord des tables ou des comptoirs. Le cordon peut être accroché et faire tomber l'appareil de la surface de travail.
- 20** **NE LAISSEZ PAS** le cordon pendre au bord d'une table ou d'un comptoir ou encore entrer en contact avec des surfaces chaudes, y compris les poêles et d'autres appareils chauffants.
- 21** Utilisez **TOUJOURS** l'appareil sur une surface plane et sèche.
- SUITE À LA PAGE 27**

CONSERVEZ CES INSTRUCTIONS

CONSIGNES DE SÉCURITÉ IMPORTANTES

VEUILLEZ LES LIRE ATTENTIVEMENT AVANT UTILISATION • POUR USAGE DOMESTIQUE SEULEMENT

⚠ AVERTISSEMENT

Pour réduire le risque de blessure, d'incendie, de décharge électrique ou de dommages matériels, des mesures de sécurité de base doivent toujours être respectées, comme les avertissements numérotés ci-dessous et les instructions qui les suivent.

- 22** NE PLACEZ JAMAIS un jeu de lames sur le bloc moteur sans l'avoir d'abord fixé à son contenant correspondant (pichet ou gobelet) et au couvercle.
- 23** Gardez les mains, les cheveux et les vêtements hors du contenant lors du chargement et du fonctionnement.
- 24** Utilisez SEULEMENT les accessoires qui sont fournis avec le produit ou qui sont recommandés par SharkNinja.
- 25** Pendant le fonctionnement et la manipulation de l'appareil, évitez tout contact avec des pièces mobiles.
- 26** N'UTILISEZ PAS l'appareil avec un contenant vide.
- 27** NE REMPLISSEZ PAS les contenants au-delà des lignes Remplissage max. ou Liquide max.
- 28** NE METTEZ PAS au four micro-ondes les contenants ou les accessoires fournis avec l'appareil.
- 29** N'EFFECTUEZ PAS de broyage avec des gobelets Nutri Ninja^{MD} et le jeu de lames Pro Extractor Blades^{MD}.
- 30** Avant l'utilisation, assurez-vous que tous les ustensiles sont enlevés des contenants. Omettre de retirer des ustensiles peut mener au bris des contenants et potentiellement causer des blessures et des dommages matériels.
- 31** Veuillez garder les mains et les ustensiles hors du contenant lors du mélange afin de réduire tout risque de blessures graves ou dommage au mélangeur ou au hachoir. Un grattoir peut être utilisé, mais UNIQUEMENT lorsque le mélangeur n'est pas en marche.
- 32** N'UTILISEZ JAMAIS l'appareil sans les couvercles et les bouchons en place. NE TENTEZ PAS de contourner le mécanisme de verrouillage. Assurez-vous que le contenant et le couvercle sont correctement installés avant l'utilisation.
- 33** N'EXPOSEZ PAS les contenants et les accessoires à des changements extrêmes de température. Ils pourraient subir des dommages.
- 34** NE LAISSEZ JAMAIS l'appareil en marche sans surveillance.
- 35** N'OUVREZ PAS le couvercle du bec verseur lorsque le mélangeur est en marche.

- 36 NE MÉLANGEZ PAS** de liquides chauds. Cela peut entraîner une accumulation de pression et une exposition à la vapeur qui peut poser un risque de brûlure pour l'utilisateur.
- 37** Si vous trouvez des ingrédients non mélangés collés aux parois du pichet, arrêtez l'appareil, retirez le couvercle et utilisez une spatule pour déloger les ingrédients. **N'INSÉREZ JAMAIS** vos mains dans le pichet, car vous pourriez toucher une des lames et subir une lacération.
- 38 NE TENTEZ PAS** d'enlever le contenant et les couvercles du bloc moteur tandis que le moteur et le jeu de lames tournent encore. Laissez l'appareil s'arrêter complètement avant de retirer les couvercles et les contenants.
- 39** Après la fin de la transformation, assurez-vous que le jeu de lames superposées est retiré **AVANT** de vider le pichet. Le jeu de lames superposées doit être retiré en saisissant la partie supérieure de la tige et en le soulevant du pichet. Omettre de retirer le jeu de lames superposées avant de vider le pichet mène à un risque de lacération.
- 40** Retirez le jeu de lames Pro Extractor Blades^{MD} du gobelet Nutri Ninja^{MD} après avoir mélangé les ingrédients. N'entrez pas les ingrédients avant ou après les avoir mélangés dans le gobelet fixé au jeu de lames. Certains aliments peuvent contenir des ingrédients actifs ou libérer des gaz qui prendront de l'expansion s'ils sont laissés dans un récipient fermé, entraînant une accumulation excessive de pression qui peut poser un risque de blessure. Utilisez seulement le couvercle à bec verseur pour couvrir les ingrédients à entreposer dans le gobelet.
- 41** En cas de surchauffe de l'appareil, un thermocontacteur sera activé et arrêtera temporairement le moteur. Pour le réinitialiser, débranchez l'appareil et laissez-le refroidir pendant environ 15 minutes avant de l'utiliser de nouveau.
- 42** La puissance maximale nominale en watts de cet appareil est basée sur la configuration avec un jeu de lames superposées et un pichet Total Crushing^{MD} MAX de 88 oz. D'autres configurations peuvent tirer moins de puissance ou de courant.

CONSERVEZ CES INSTRUCTIONS

APPRENDRE À CONNAÎTRE VOTRE NUTRI NINJA^{MD} | NINJA^{MD} BLENDMAX DUO^{MC}

BIENVENUE!

Félicitations pour votre achat. Utilisez ce mode d'emploi pour en savoir plus sur les fonctionnalités de votre Nutri Ninja | Ninja BlendMax DUO. De l'assemblage à l'utilisation, en passant par l'entretien, vous trouverez tous les renseignements que vous cherchez ici.

.....

Plusieurs accessoires sont compatibles avec cette série de mélangeurs.

REMARQUE : Le rabat de la boîte présente les accessoires inclus avec ce modèle.

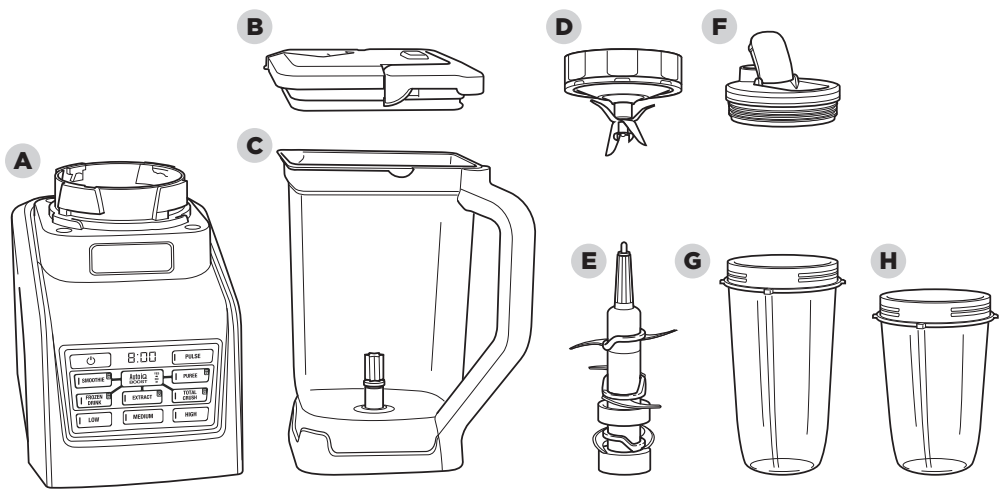
Si vous avez des questions, des préoccupations ou des commentaires, nous serions ravis de les entendre. Appelez-nous au 1-877-646-5288 ou visitez le site ninjakitchen.com/customersupport

Pour en savoir plus sur nos produits et trouver d'excellentes recettes, veuillez visiter ninjakitchen.com

* Capacité liquide maximale de 80 oz

UNITÉ PRINCIPALE

- A** Bloc Moteur
- B** Couvercle du pichet
- C** Pichet Total Crushing^{MD} MAX de 88 oz*
- D** Jeu de lames Pro Extractor Blades^{MD}
- E** Jeu de lames superposées
- F** Couvercle à bec verseur
- G** Gobelet Nutri Ninja Tritan^{MC} de 24 oz
- H** Gobelet Nutri Ninja Tritan de 18 oz

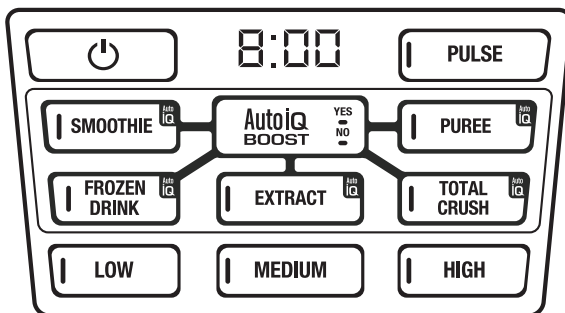


FONCTIONNALITÉS

★ **IMPORTANT** : Lisez tous les avertissements aux pages 25 à 28 avant de continuer.

LE SAVIEZ-VOUS?

- Vous pouvez prendre vos boissons avec vous en utilisant les couvercles à bec verseur.
- Tous les couvercles et contenants sont sans BPA.
- Nos lames, contenants et couvercles vont tous au lave-vaisselle.



PULSE (IMPULSION)

Offre un plus grand contrôle des impulsions et du mélange. Fonctionne uniquement lorsque le bouton PULSE (IMPULSION) est enfoncé. Appuyez brièvement pour de courtes impulsions.

LOW/MED/HI (BASSE/MOYENNE/ÉLEVÉE)

Sélectionnez votre vitesse préférée pour un contrôle optimal.

Fonction Auto-iQ BOOST^{MC}

Ajoute du temps à n'importe quel programme Auto-iQ pour que vous puissiez contrôler la consistance de vos recettes. Le bouton BOOST passe entre les réglages YES (ACTIVÉ) et NO (DÉSACTIVÉ) : sélectionnez BOOST YES pour des résultats plus lisses et plus crémeux; sélectionnez BOOST NO pour plus de texture.

Fonction Auto-iQ^{MC} EXTRACT (EXTRACTION)

Idéal pour les fruits et légumes entiers durs, feuillus ou fibreux, y compris leurs peaux, graines et tiges.

Fonction Auto-iQ SMOOTHIE (BOISSON FRAPPÉE)

Parfait pour des frappés crémeux et onctueux à base de fruits congelés, de glace ou de produits laitiers.

Fonction Auto-iQ PUREE (PURÉE)

Mélange automatiquement vos ingrédients pour créer des soupes, des sauces et des trempettes onctueuses.

Fonction Auto-iQ FROZEN DRINK (BOISSON GLACÉE)

Plus besoin d'expérimenter pour transformer de la glace, des jus et des fruits en boissons glacées savamment mélangées.

Auto-iQ TOTAL CRUSH

Concasse les glaçons (notamment ceux qui sont faits avec du café ou du jus) pour créer des cornets de glace et des granités. Pulvérise également les baies glacées en poudre pour ajouter une touche unique aux desserts glacés.

- 1** Retirez tous les matériaux d'emballage de l'appareil. Soyez prudent lors du déballage des jeux de lames. Les jeux de lames sont tranchants.
- 2** Le jeu de lames superposées N'EST PAS verrouillé avec le contenant. Manipulez le jeu de lames superposées en le tenant par le haut de la tige.
- 3** Manipulez le jeu de lames Pro Extractor Blades^{MD} en le tenant par la circonférence extérieure de la base du jeu de lames.
- 4** Lavez les contenants, les couvercles et les jeux de lames dans de l'eau chaude savonneuse, à l'aide d'une brosse à vaisselle avec une poignée afin d'éviter le contact direct avec les lames. Manipulez les jeux de lames avec précaution, car les lames sont tranchantes.
- 5** Rincez à fond toutes les pièces et laissez-les sécher à l'air.
- 6** Tous les accessoires vont au lave-vaisselle. Nous vous recommandons de placer les couvercles et les jeux de lames dans le panier supérieur du lave-vaisselle. Veillez à retirer les jeux de lames des contenants avant de les placer dans le lave-vaisselle. Soyez prudent lorsque vous manipulez des jeux de lames.
- 7** Essuyez le bloc moteur avec un chiffon propre et humide.

UTILISATION DE VOS GOBELETS NUTRI NINJA^{MD}

★ **IMPORTANT :** Lisez tous les avertissements aux pages 25 à 28 avant de continuer.

.....

💡 **CONSEIL :** Pour les instructions de chargement recommandé, consultez la page 41.

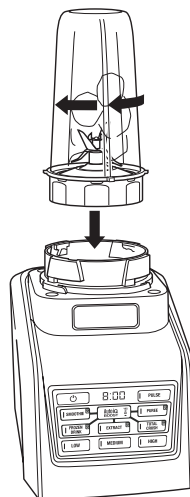
REMARQUE : Les programmes Auto-IQ^{MC} comportent des pauses et des changements de vitesse tout au long du cycle.



- 1** Placez le bloc moteur débranché sur une surface plane, propre et sèche comme un comptoir ou une table. Appuyez vers le bas sur le bloc moteur pour fixer les ventouses sur la surface de travail. Assurez-vous que le bloc moteur est connecté à une source d'alimentation.
- 2** Mettez les ingrédients dans le gobelet Nutri Ninja. N'AJOUTEZ PAS d'ingrédients au-delà de la ligne Liquide max. sur le gobelet.



- 3** Installez le jeu de lames Pro Extractor Blades^{MD} sur le dessus du gobelet. Tournez le couvercle dans le sens horaire jusqu'à ce qu'il soit scellé hermétiquement.



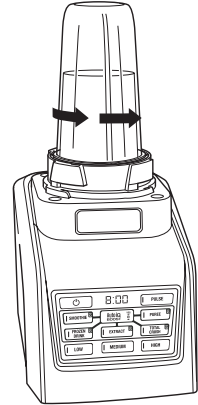
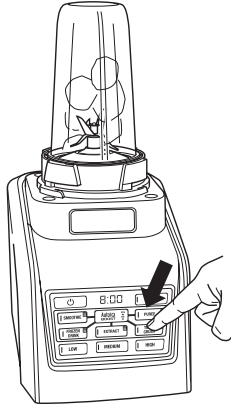
- 4** Tournez le gobelet Nutri Ninja^{MD} à l'envers et installez-la sur le bloc moteur. Alignez les languettes sur le gobelet avec les fentes sur le socle, puis tournez-le jusqu'à ce que vous entendiez un clic. Lorsque l'appareil est sous tension et que le contenant est correctement verrouillé sur le bloc moteur, les boutons de programme s'allument et l'appareil est prêt pour l'utilisation.

UTILISATION DE VOS GOBELETS NUTRI NINJA^{MD}

★ **IMPORTANT :** Lisez tous les avertissements aux pages 25 à 28 avant de continuer.

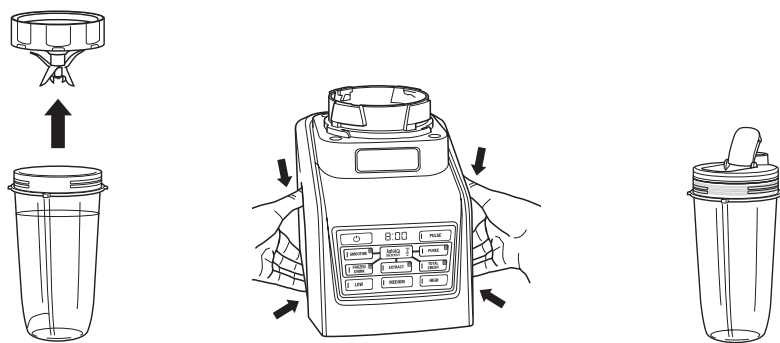
.....

REMARQUE : Les programmes Auto-iQ^{MC} comportent des pauses et des changements de vitesse tout au long du cycle. Pour une description des programmes, consultez la page 31.



5 Sélectionnez le programme qui convient le mieux à votre recette. La fonction AUTO-iQ^{MC} arrêtera l'appareil automatiquement à la fin du programme. Avec les réglages non Auto-iQ, l'appareil continuera à fonctionner jusqu'à ce qu'il soit arrêté. Pour suspendre le fonctionnement de l'appareil à tout moment, appuyez une seconde fois sur la touche active. Consultez la page 31 pour les descriptions de programmes.

6 Pour retirer le gobelet du bloc moteur, tournez le gobelet dans le sens antihoraire, puis soulevez-la du bloc moteur.



- 7** Retirez le jeu de lames Pro Extractor Blades^{MD} en tournant le couvercle dans le sens antihoraire. Manipulez le jeu de lames avec précaution, car les lames sont tranchantes. N'entreposez pas les mélanges avec le jeu de lames Pro Extractor fixé.
- 8** Débranchez l'appareil lorsque vous avez fini de vous en servir et retirez le bloc moteur de la surface de travail. Pour retirer le bloc moteur, tirez-le doucement vers vous. Consultez la page 42 pour les instructions de rangement.
- 9** Pour une boisson à emporter, placez le couvercle à bec verseur sur le gobelet Nutri Ninja et tournez dans le sens horaire jusqu'à ce qu'il soit fermement scellé. Pour l'entreposage, utilisez seulement le couvercle à bec verseur.

UTILISATION DE VOTRE PICHET TOTAL CRUSHING^{MD} MAX DE 88 OZ

★ **IMPORTANT :** Lisez tous les avertissements aux pages 25 à 28 avant de continuer.

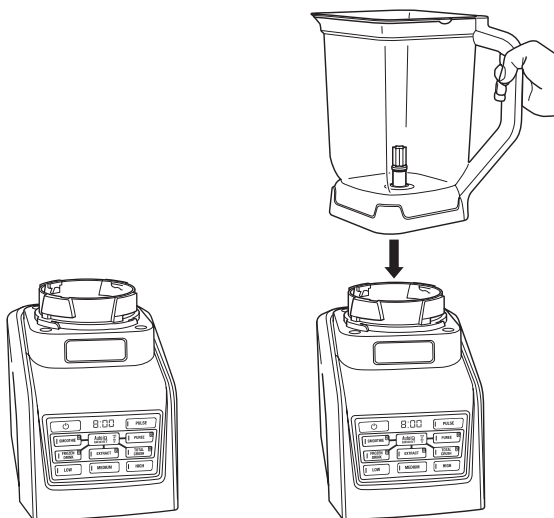
💡 **CONSEIL :** Sélectionnez BOOST YES quand vous voulez une consistance plus mince et plus fine. Utilisez BOOST NO quand vous voulez plus de texture.

💡 **CONSEIL :** Si le jeu de lames superposées n'est pas bien enfoncé, vous ne serez pas en mesure d'installer et de verrouiller le couvercle en place.

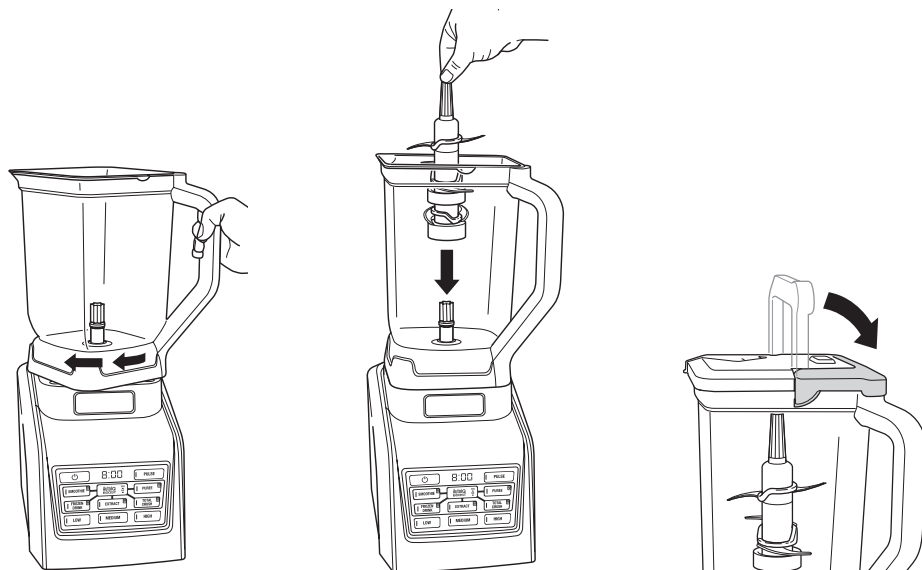
💡 **CONSEIL :** Pour en savoir davantage sur les programmes de l'appareil, consultez la page 31.

REMARQUE :
N'AJOUTEZ PAS les ingrédients avant d'effectuer l'installation du jeu de lames superposées.

REMARQUE : Le pichet peut être installé dans deux orientations différentes. La poignée peut être positionnée sur le coin avant droit du bloc moteur ou le coin avant gauche du bloc moteur.



- 1 Branchez le bloc moteur et placez-le sur une surface plane, propre et sèche comme un comptoir ou une table. Appuyez vers le bas sur le bloc moteur pour fixer les ventouses sur la surface de travail.
- 2 Abaissez le pichet sur le bloc moteur. La poignée doit être alignée légèrement vers la droite, et le pichet doit être orienté de manière à ce que les symboles LOCK (VERROUILLAGE) soient visibles sur le bloc moteur. Puis, faites tourner le contenant vers la gauche jusqu'à ce que vous entendiez un déclic.



3 Avec prudence, en tenant le jeu de lames superposées par le haut de la tige, placez-le sur l'engrenage d'entraînement à l'intérieur du pichet. Le jeu de lames superposées s'ajuste de manière lâche sur l'engrenage d'entraînement.

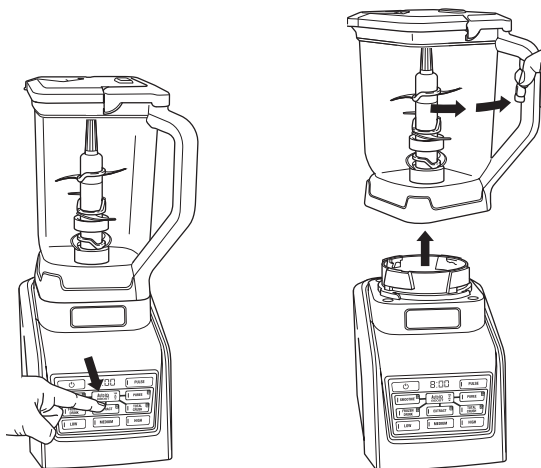
4 Mettez les ingrédients dans le pichet, en vous assurant qu'ils ne dépassent pas la ligne Remplissage max. sur le côté du pichet. Lors du mélange de tout type de liquides, comme des boissons ou des frappés, **NE DÉPASSEZ PAS** le repère Liquide max. sur le côté du pichet.

5 Placez le couvercle sur le pichet, en alignant le symbole de triangle situé sur le couvercle avec le symbole de triangle situé sur la poignée du pichet. Appuyez sur la poignée vers le bas jusqu'à ce que vous entendiez un déclic. Les symboles de triangle **DOIVENT** être alignés pour que le couvercle se verrouille en place et que l'appareil fonctionne. Lorsque l'appareil est sous tension et que le contenant est correctement verrouillé dans le bloc moteur, les boutons de programme s'allument et l'appareil est prêt pour l'utilisation.

UTILISATION DE VOTRE PICHET TOTAL CRUSHING^{MD} MAX DE 88 OZ - (SUITE)

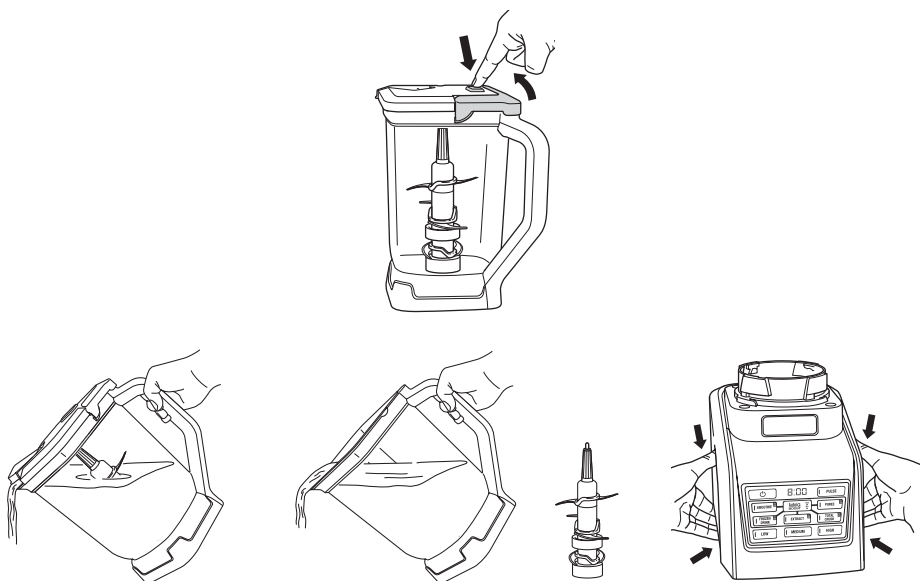
★ **IMPORTANT :** Lisez tous les avertissements aux pages 25 à 28 avant de continuer.

★ **IMPORTANT :** Par mesure de sécurité, le voyant d'alimentation clignotera et le moteur ne fonctionnera pas si le pichet et le couvercle ne sont pas installés correctement. Dans ce cas, répétez l'étape 5 à la page 38. Lorsque le pichet et le couvercle sont correctement installés, le voyant d'alimentation reste allumé, vous signalant que l'appareil est prêt à être utilisé.



REMARQUE : pour des ingrédients hachés à la même taille, utilisez PULSE (IMPULSION) pendant de courts intervalles. Pour une description des programmes, consultez la page 31.

- 6 Sélectionnez la vitesse ou le programme AUTO-iQ^{MC} qui convient le mieux à votre recette. La fonction Auto-iQ arrêtera l'appareil automatiquement à la fin du programme. Avec les réglages non Auto-iQ, l'appareil continuera à fonctionner jusqu'à ce qu'il soit arrêté. Pour suspendre le fonctionnement de l'appareil à tout moment, appuyez une seconde fois sur la touche active.
- 7 Lorsque vos ingrédients ont la consistance voulue, arrêtez l'appareil en appuyant sur le bouton d'alimentation et attendez que l'appareil arrête complètement de tourner.
- 8 Pour retirer le pichet du bloc moteur, tournez le pichet dans le sens antihoraire et enlevez-le ensuite du bloc moteur en le soulevant.



9 Pour les mélanges plus liquides, assurez-vous que le couvercle est verrouillé en place, ouvrez le bouchon du bec verseur sur le couvercle et utilisez le bec verseur pour vider le contenu du pichet.

10 Pour les mélanges plus épais qui ne peuvent pas être vidés par le bec verseur, retirez le couvercle et le jeu de lames superposées avant de verser. Pour retirer le couvercle, appuyez sur le bouton RELEASE (DÉGAGEMENT) sur le couvercle et soulevez la poignée. Le couvercle peut alors être retiré du pichet. Pour retirer le jeu de lames superposées, saisissez soigneusement le jeu de lames par le haut de la tige et retirez-le du pichet. Le pichet peut ensuite être vidé.

11 Débranchez l'appareil lorsque vous avez fini de vous en servir et retirez le bloc moteur de la surface de travail. Pour retirer le bloc moteur, placez vos mains au-dessous et tirez-le doucement vers vous. Consultez la page 42 pour les instructions de rangement.

USAGES SUGGÉRÉS ET INSTRUCTIONS DE REMPLISSAGE

★ **IMPORTANT** : Lisez tous les avertissements aux pages 25 à 28 avant de continuer.

COMMANDE DE PIÈCES DE RECHANGE

Pour commander des pièces et des accessoires supplémentaires, veuillez visiter ninjakitchen.com ou communiquer avec le service à la clientèle au 1-877-646-5288.



REMPLISSAGE DE VOTRE GOBELET NUTRI NINJA^{MD}

Pour de meilleurs résultats, suivez toujours les indications des recettes lors du remplissage de vos gobelets Nutri Ninja. Lorsque vous n'utilisez pas de recette, utilisez les lignes directrices suivantes :

Commencez avec des fruits ou légumes frais (pour de meilleurs résultats, coupez les ingrédients en morceaux de 1 po). Ensuite, ajoutez des légumes-feuilles ou des herbes, suivis de tous les liquides comme l'eau, le jus, le lait ou le yogourt. Ajoutez ensuite les graines, les poudres ou les beurres de noix. En dernier, ajoutez la glace ou les ingrédients congelés. N'oubliez pas de bien serrer le jeu de lames Pro Extractor Blades^{MD} et de ne pas trop remplir le gobelet.

SOINS ET ENTRETIEN

NETTOYAGE

- 1 Séparez toutes les pièces.
- 2 Lavez tous les contenants dans l'eau chaude savonneuse avec un chiffon doux.

3 Lavage à la main

Lavez les jeux de lames dans de l'eau chaude savonneuse avec une brosse à vaisselle munie d'une poignée pour éviter tout contact direct avec les lames. Manipulez les jeux de lames avec précaution, car les lames sont tranchantes. Rincez à fond toutes les pièces et laissez-les sécher à l'air.

Lave-vaisselle

Tous les accessoires vont au lave-vaisselle. Nous vous recommandons de placer les couvercles et les jeux de lames dans le panier supérieur du lave-vaisselle. Veillez à retirer les jeux de lames des contenants avant de les placer dans le lave-vaisselle. Soyez prudent lorsque vous manipulez des jeux de lames.

- 4 Essuyez le bloc moteur avec un chiffon propre et humide. Laissez-le sécher avant de l'utiliser.

RANGEMENT

Rangez l'appareil en position verticale et rangez tous les jeux de lames à l'intérieur ou fixez-les à leurs contenants respectifs avec leurs couvercles verrouillés en place.

NE CONSERVEZ PAS les ingrédients avant ou après le mélange dans le gobelet Nutri Ninja^{MD} avec le jeu de lames qui y est attaché.

N'EMPILEZ PAS d'articles sur les contenants. Rangez tous les accessoires restants aux côtés de l'appareil ou dans une armoire où ils ne seront pas endommagés et ne poseront pas de danger.

RÉINITIALISATION DU THERMOSTAT DU MOTEUR

Cet appareil est doté d'un système de sécurité unique protégeant le moteur et le système d'entraînement en cas de surcharge par inadvertance. En cas de surcharge de l'appareil, le moteur s'arrêtera temporairement. Dans ce cas, suivez la procédure de réinitialisation ci-dessous.

- 1 Débranchez l'appareil de la prise électrique.
- 2 Laissez l'appareil refroidir pendant environ 15 minutes.
- 3 Retirez le couvercle du contenant et le jeu de lames. Videz le contenant et assurez-vous qu'aucun aliment n'est coincé dans le jeu de lames.
- 4 Réinitialisez l'appareil conformément aux instructions applicables pour le type de contenant et de lame.

IMPORTANT : assurez-vous que les capacités maximales ne sont pas dépassées. C'est la cause la plus fréquente de surcharge de l'appareil.

Si l'appareil a besoin d'être réparé, veuillez communiquer avec le service à la clientèle en composant le 1-877-646-5288.

GUIDE DE DÉPANNAGE

⚠ AVERTISSEMENT : pour réduire les risques d'électrocution et de mise en marche involontaire, éteignez et débranchez l'appareil avant tout dépannage.

Le moteur ne démarre pas ou le jeu de lames ne tourne pas.

- Assurez-vous que le contenant est correctement placé sur le bloc moteur.
- Assurez-vous que le couvercle soit bien en place sur le contenant et dans la bonne position (alignez les flèches).
- L'appareil est à l'arrêt. Appuyez sur le bouton d'alimentation (⏻) pour le mettre en marche.
- Vérifiez que la fiche est insérée dans la prise électrique de manière sécuritaire.
- Inspectez le fusible ou le disjoncteur.
- L'appareil a été surchargé. L'appareil s'arrêtera et le voyant d'alimentation clignotera. Débranchez l'appareil et attendez environ 15 minutes avant de vous en servir de nouveau.
- L'appareil a surchauffé. Débranchez l'appareil et attendez environ 15 minutes avant de vous en servir de nouveau.
- Assurez-vous que l'appareil n'est pas surchargé.

Les aliments sont hachés trop finement ou sont trop liquides.

- Les aliments ont été transformés trop longtemps. Utilisez le bouton PULSE (IMPULSION) pour une transformation plus contrôlée.

Les aliments s'accumulent sur le couvercle ou sur les côtés du contenant.

- Le mélange est trop épais. Ajoutez plus de liquide.

Les glaçons ne se transforment pas en neige.

- N'utilisez pas la glace qui a été laissée à la température de la pièce pendant un certain temps ou qui a commencé à fondre. Utilisez de la glace provenant directement du congélateur.
- Commencez par quelques impulsions, puis passez à un cycle de mélange continu.

Le bloc moteur ne colle pas au comptoir ou à la table.

- Assurez-vous que la surface et les ventouses sont propres. Les ventouses n'adhèrent qu'aux surfaces lisses. Les ventouses N'ADHÉRERONT PAS sur certaines surfaces telles que le bois, les tuiles et les finitions non polies.
- NE TENTEZ PAS d'utiliser l'appareil lorsque le bloc moteur est fixé à une surface non sécuritaire (planche à découper, plateau, plaques, etc.).

Vous obtenez un message « ERR ».

- Votre Nutri Ninja^{MD} | Ninja^{MD} BlendMax DUO^{MC} peut détecter quel contenant est placé sur le bloc moteur. Vous essayez peut-être d'utiliser un programme qui n'a pas été conçu pour le contenant que vous avez installé. Les programmes s'allument pour indiquer ceux qui sont offerts pour chaque contenant.
- Il est possible que le message « ERR » s'affiche lorsque votre appareil est maintenu en marche pendant plus de deux minutes à des intervalles rapprochés. Si cela se produit, veuillez débrancher l'appareil pendant une minute avant de le réutiliser.

Un voyant rouge clignote.

- L'appareil n'est pas installé correctement. Pour votre sécurité, l'appareil ne s'activera que lorsqu'il est correctement assemblé. Veuillez consulter les pages d'assemblage de ce guide du propriétaire pour obtenir de l'assistance.

La garantie limitée de 1 an s'applique aux achats effectués auprès de détaillants autorisés de SharkNinja Operating LLC. La garantie s'applique uniquement au premier propriétaire et au produit original et n'est pas transférable.

SharkNinja garantit ce produit contre toute défectuosité de matériau ou de main-d'œuvre pour une période de 1 an à compter de la date d'achat, dans le cadre d'un usage domestique normal et si le produit est entretenu conformément aux exigences décrites dans ce mode d'emploi, sujet aux conditions, aux exclusions et aux exceptions ci-dessous.

Que couvre ma garantie?

1. L'appareil d'origine ou les composantes inusables considérées comme défectueuses, à la seule discrétion de SharkNinja, seront réparés ou remplacés pour 1 an à compter de la date d'achat initiale.
2. Dans les rares cas où un appareil est remplacé, la garantie prendra fin six mois après la date de réception de l'appareil de remplacement ou le reste de la période de garantie existante, selon la période la plus longue. Si l'appareil est remplacé, SharkNinja se réserve le droit de le remplacer par un appareil de valeur égale ou supérieure.

Qu'est-ce qui n'est pas couvert par la garantie?

Nos spécialistes de produits ou du service à la clientèle sont à votre disposition pour vous fournir toutes les options du service de la garantie offertes, y compris la possibilité de l'améliorer et de choisir nos options de garantie de service VIP disponibles pour certaines catégories de produits.

1. L'usure normale des pièces d'usure (y compris tous les contenants de mélange, les couvercles, les lames et la base du mélangeur) qui nécessitent un entretien ou un remplacement périodique afin d'assurer le bon fonctionnement de votre appareil n'est pas couverte par cette garantie.
2. La garantie ne s'applique pas aux appareils utilisés de façon abusive ou à des fins commerciales.
3. SharkNinja assumera les frais de retour de l'appareil à nos centres par le consommateur en vue de la réparation ou du remplacement de l'appareil. Un montant de 19,95 \$ pour les frais de retour de l'appareil sera facturé au moment de l'expédition de l'appareil réparé ou remplacé.
4. Dommages causés par une mauvaise utilisation, des abus, de la négligence lors de la manipulation ou une mauvaise manipulation pendant le transport.
5. Dommages indirects et accessoires.
6. Défectuosités causées par l'expédition, ou par des réparations, un entretien ou une modification du produit ou des pièces de celui-ci effectués par un réparateur non autorisé par SharkNinja.
7. Produits achetés ou utilisés à l'extérieur de l'Amérique du Nord.

Problèmes avec l'appareil et réparations sous garantie :

Si votre appareil ne fonctionne pas comme il le devrait lors d'un usage domestique normal pendant la période de garantie, rendez-vous sur le site ninjakitchen.com pour obtenir de l'information sur les soins et l'entretien du produit que vous pouvez effectuer vous-même. Pour obtenir de l'assistance avec les options du service de la garantie ou avec le produit, veuillez appeler notre service à la clientèle et nos spécialistes de produits au 1-877-646-5288.

Comment présenter une demande de service sous garantie :

Vous devez d'abord activer votre garantie en enregistrant votre appareil en ligne à ninjakitchen.com/customer-support (Remarque : les achats effectués directement auprès de SharkNinja sont automatiquement enregistrés et la garantie est activée.) Vous pouvez également appeler le 1-877-646-5288 pour demander l'aide d'un spécialiste du service à la clientèle. Veuillez noter que vous devez appeler le 1-877-646-5288 pour amorcer une demande de service sous garantie. Les directives d'emballage et de retour de l'appareil vous seront fournies à ce moment-là.

Le service à la clientèle est ouvert du lundi au vendredi, de 8 h à 22 h (HE), ainsi que le samedi et le dimanche de 9 h à 18 h (HE).

Vous pouvez faire l'achat de pièces de rechange en visitant le site ninjakitchen.com. Pour obtenir plus de renseignements sur ce qui est qualifié de pièces d'usure et de pièces inusables, visitez ninjawarranty.com.

Cette garantie vous confère des droits juridiques particuliers selon la loi; vous pouvez aussi bénéficier d'autres droits qui varient d'une province ou d'un État à l'autre.

Certains États américains ou certaines provinces canadiennes n'acceptent pas l'exclusion ou la limitation de dommages accessoires ou indirects, auquel cas cette disposition ne s'appliquerait pas.

GRACIAS

por comprar la Nutri Ninja® | Ninja® BlendMax DUO™



CONSEJO: Puede localizar el número de modelo y el código de fecha en el enchufe.

REGISTRE SU COMPRA

 ninjakitchen.com

 1-877-646-5288

REGISTRE ESTA INFORMACIÓN

Número de modelo: _____

Código de fecha: _____

Fecha de compra (conservar el recibo): _____

ESPECIFICACIONES TÉCNICAS

Voltaje: 120V, 60Hz

Vatios: 1600W

LEA ESTAS INSTRUCCIONES DETENIDAMENTE Y CONSÉRVELAS PARA REFERENCIA FUTURA.

Estas instrucciones están diseñadas para ayudarle a entender por completo el funcionamiento de su nueva Nutri Ninja | Ninja BlendMax DUO.

Si tiene alguna pregunta, llame a la línea de Servicio al Cliente al 1-877-646-5288.

ÍNDICE

Instrucciones importantes de seguridad	47
Nociones básicas sobre su Nutri Ninja®	
Ninja® BlendMax DUO™	51
Funciones	53
Antes del primer uso	54
Cómo usar los vasos Nutri Ninja	55
Cómo usar la jarra MAX de 88 oz. Jarra Total Crushing® ...	59
Usos sugeridos e instrucciones de llenado	63
Cómo llenar el vaso Nutri Ninja	63
Cómo solicitar piezas de repuesto	63
Cuidado y mantenimiento	64
Limpieza	64
Almacenamiento	64
Cómo reiniciar el termostato del motor	64
Guía de solución de problemas	65
Garantía	66

INSTRUCCIONES IMPORTANTES DE SEGURIDAD

LEA ESTO CON CUIDADO ANTES DE USAR EL APARATO • PARA USO DOMÉSTICO SOLAMENTE

⚠ ADVERTENCIA

Para reducir el riesgo de lesiones, incendio, descargas eléctricas o daños materiales, siempre se deben seguir las precauciones básicas de seguridad, lo que incluye las siguientes advertencias numeradas y las instrucciones posteriores.

- 1** Lea todas las instrucciones antes de usar el aparato y los accesorios.
- 2** Observe y practique con cuidado todas las advertencias e instrucciones. Esta unidad contiene conexiones eléctricas y piezas móviles que presentan un riesgo potencial para el usuario.
- 3** Este producto se proporciona con unidad de cuchillas apiladas. Siempre tenga cuidado al manipular la unidad de cuchillas apiladas. La unidad de cuchillas apiladas es filosa y NO está asegurada al recipiente. Está diseñada para que pueda desmontarse a fin de facilitar la limpieza y su reemplazo, de ser necesario. Sujete la unidad de cuchillas apiladas SOLO desde la parte superior del eje. Si no se tiene cuidado al manipular la unidad de cuchillas apiladas, correrá el riesgo de cortarse.
- 4** SIEMPRE tenga cuidado al manipular la unidad Pro Extractor Blades®. Las cuchillas son filosas. Sujete la unidad Pro Extractor Blades SOLO desde el perímetro exterior de la base de la unidad de cuchillas. Si no se tiene cuidado al manipular la unidad de cuchillas, correrá el riesgo de cortarse.
- 5** Tome el tiempo necesario y tenga cuidado durante el desempaque y la instalación del aparato. Este aparato contiene cuchillas filosas y sueltas que pueden provocar lesiones si se manejan de forma incorrecta.
- 6** Haga un inventario de todo el contenido para asegurarse de que tiene todas las piezas necesarias para que el aparato funcione de manera adecuada y segura.
- 7** Desenchufe el aparato del tomacorriente cuando no se vaya a usar, antes de ensamblar o desensamblar las piezas, y antes de limpiarlo. Para desenchufarlo, sujete el cuerpo del enchufe y sáquelo del tomacorriente. Nunca lo desenchufe sujetando el cable flexible y tirando de él.
- 8** Antes de usarlo, lave todas las piezas que estén en contacto con alimentos. Siga las instrucciones de lavado que se describen en esta guía de instrucciones.
- 9** A fin de protegerse del peligro de descargas eléctricas, NO sumerja el aparato ni permita que el cable de alimentación entre en contacto con ningún tipo de líquido.

- 10** NO use este aparato en exteriores. Está diseñado de forma exclusiva para uso doméstico en interiores.
- 11** Este aparato tiene un enchufe polarizado (una pata es más ancha que la otra). Para reducir el riesgo de descargas eléctricas, este enchufe calzará en un tomacorriente polarizado solo de una manera. Si el enchufe no calza por completo en el tomacorriente, invierta el enchufe. Si aun así no calza, comuníquese con un electricista calificado. NO modifique el enchufe de ninguna manera.
- 12** NO opere ningún aparato cuyo cable o enchufe estén dañados ni después de que el aparato haya tenido fallas, se haya caído o se haya dañado de alguna manera. Este aparato no tiene piezas que el usuario pueda reparar. Si se daña, comuníquese con SharkNinja para realizar la reparación.
- 13** Si el cable eléctrico está dañado, deberá ser reemplazado por el fabricante, su agente de servicio técnico o personas similares calificadas para evitar un riesgo.
- 14** No deben usarse cables de extensión con este aparato.
- 15** NO permita que los niños pequeños operen este aparato ni que lo usen como un juguete. Se necesita una supervisión estricta cuando cualquier aparato se usa cerca de los niños.
- 16** Este aparato no está diseñado para que lo usen personas (incluidos niños) con capacidades físicas, sensoriales o mentales disminuidas, o que carezcan de la experiencia y el conocimiento, a menos que la persona responsable de su seguridad les haya proporcionado supervisión o instrucciones relacionadas con el uso del aparato.
- 17** Antes de cada uso, inspeccione las unidades de cuchillas en busca de daños. Si una cuchilla está doblada o se sospecha que tiene daños, comuníquese con SharkNinja para solicitar un repuesto.
- 18** NO intente afilar las cuchillas.
- 19** NO permita que el cable cuelgue sobre el borde de mesas o encimeras. El cable se puede enganchar y hacer que el aparato caiga de la superficie de trabajo.

CONTINÚA EN LA PÁGINA 49

CONSERVE ESTAS INSTRUCCIONES

INSTRUCCIONES IMPORTANTES DE SEGURIDAD

LEA ESTO CON CUIDADO ANTES DE USAR EL APARATO • PARA USO DOMÉSTICO SOLAMENTE

⚠ ADVERTENCIA

Para reducir el riesgo de lesiones, incendio, descargas eléctricas o daños materiales, siempre se deben seguir las precauciones básicas de seguridad, lo que incluye las siguientes advertencias numeradas y las instrucciones posteriores.

- 20** NO permita que el cable quede colgando del borde de mesas o mesadas ni que entre en contacto con superficies calientes, lo que incluye estufas y otros aparatos que se calientan.
- 21** SIEMPRE utilice el aparato sobre una superficie seca y nivelada.
- 22** NUNCA coloque la unidad de cuchillas sobre la base del motor sin antes conectarla al recipiente correspondiente (jarra o vaso) con tapa.
- 23** Mantenga las manos, el pelo y la ropa lejos del recipiente al momento de llenarlo y hacer funcionar el aparato.
- 24** Use ÚNICAMENTE los aditamentos y accesorios que se proporcionan con el producto o que están recomendados por SharkNinja.
- 25** Durante el funcionamiento y el manejo del aparato, evite el contacto con las piezas en movimiento.
- 26** NO opere el aparato con un recipiente vacío.
- 27** NO llene los recipientes sobre las líneas de nivel máximo de llenado o líquido.
- 28** NO coloque los recipientes o accesorios que se incluyen con el aparato en el horno de microondas.
- 29** NO realice operaciones de molido con los vasos Nutri Ninja® y la unidad Pro Extractor Blades®.
- 30** Antes de operar el aparato, asegúrese de que todos los utensilios hayan sido retirados de los recipientes. Si no retira los utensilios de los recipientes, puede que estos se rompan, lo que podría provocar lesiones personales y daños materiales.
- 31** Al licuar, mantenga las manos y los utensilios fuera del recipiente para reducir el riesgo de que las personas sufran lesiones graves o la licuadora se dañe. Se puede utilizar una espátula, pero ÚNICAMENTE cuando la licuadora no se encuentre en funcionamiento.
- 32** NUNCA opere el aparato sin que estén colocadas las tapas y los tapones. NO intente forzar el mecanismo de trabado. Asegúrese de que el recipiente y la tapa estén instalados de manera correcta antes de operar el aparato.
- 33** NO exponga los recipientes y accesorios a cambios de temperatura extremos. Podrían sufrir daños.

- 34** NUNCA deje el aparato sin supervisión cuando se encuentre en uso.
- 35** NO abra la tapa de la pico vertedor mientras la licuadora está en funcionamiento.
- 36** NO mezcle líquidos calientes. Hacer esto podría producir una acumulación de presión y una exposición a vapor que pueden generar un riesgo de quemaduras para el usuario.
- 37** Si descubre ingredientes sin mezclarse adheridos a los lados de la jarra, detenga el aparato, retire la tapa y use una espátula para despegar los ingredientes. NUNCA meta las manos en la jarra, ya que podría tocar una de las cuchillas y cortarse.
- 38** NO trate de retirar el recipiente y las tapas de la base del motor mientras el motor y la unidad de cuchillas aún están girando. Deje que el aparato se detenga por completo antes de retirar las tapas y los recipientes.
- 39** Al completar el procesamiento, asegúrese de retirar la unidad de cuchillas apiladas ANTES de vaciar el contenido de la jarra. La unidad de cuchillas apiladas debe retirarse sujetando la parte superior del eje y levantándola de la jarra. Si no se retira la unidad de cuchillas apiladas antes de vaciar la jarra, correrá el riesgo de cortarse.
- 40** Retire la unidad Pro Extractor Blades® del vaso Nutri Ninja® al terminar de licuar. No guarde ingredientes en el vaso antes o después de licuarlos con la unidad de cuchillas puesta. Algunos alimentos pueden contener ingredientes activos o liberar gases que se expandirán si se dejan en un recipiente hermético, lo que producirá una acumulación excesiva de presión que puede representar un riesgo de lesiones. Para guardar alimentos en el vaso, use solo la tapa con pico para cubrirlos.
- 41** Si el aparato se sobrecalienta, se activará un interruptor térmico y se desactivará el motor de manera temporal. Para reiniciarlo, desenchufe el aparato y déjelo enfriar durante, aproximadamente, 15 minutos antes de volver a utilizarlo.
- 42** La potencia nominal máxima en vatios de este aparato se basa en la configuración de la unidad de cuchillas apiladas y la jarra MAX de 88 oz. Total Crushing®. Otras configuraciones pueden consumir menos potencia o corriente.

CONSERVE ESTAS INSTRUCCIONES

NOCIONES BÁSICAS SOBRE SU NUTRI NINJA® | NINJA® BLENDMAX DUO™

¡BIENVENIDO!

Felicitaciones por su compra. Use este manual de instrucciones para conocer las excelentes funciones de su Nutri Ninja | Ninja BlendMax DUO. Desde el ensamblaje hasta el uso y el mantenimiento, encontrará todo aquí.

.....

Hay una variedad de accesorios compatibles con esta serie de licuadoras.

NOTA: La pestaña superior de la caja muestra la selección de accesorios que se incluye con su modelo.

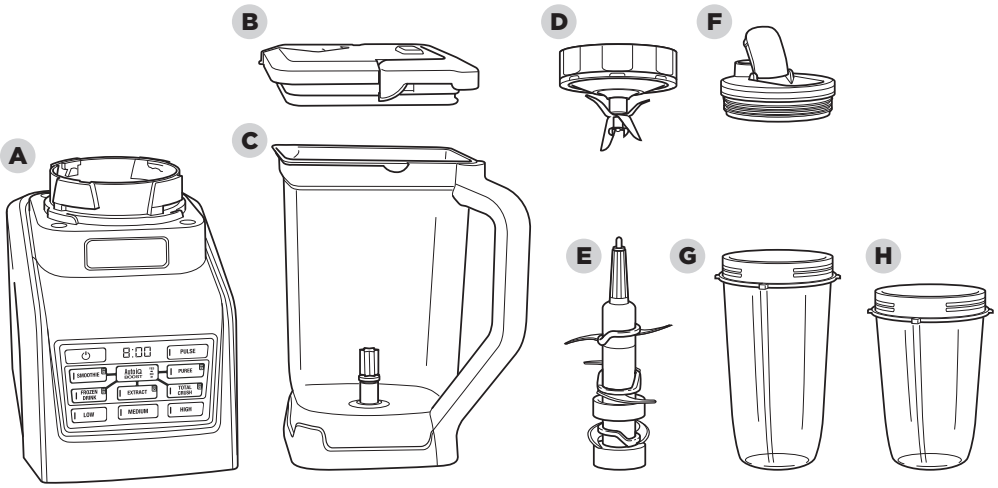
Si tiene alguna pregunta, inquietud o comentario, nos encantaría conocerla. Llámenos al 1-877-646-5288 o visite ninjakitchen.com/customer-support

Para más información sobre nuestros productos y para obtener recetas geniales, visite ninjakitchen.com.

*Capacidad líquida máxima de 80 oz.

UNIDAD PRINCIPAL

- A** Base del motor
- B** Tapa de la jarra
- C** Jarra MAX de 88 oz. Jarra Total Crushing®*
- D** Unidad Pro Extractor Blades®
- E** Unidad de cuchillas apiladas
- F** Tapa con pico
- G** Vaso de 24 oz. Nutri Ninja Tritan™
- H** Vaso de 18 oz. Nutri Ninja Tritan

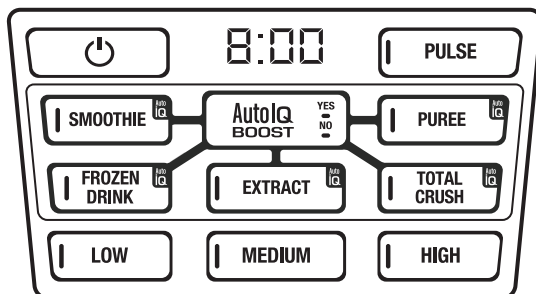


FUNCIONES

★ **IMPORTANTE:** Revise todas las advertencias de las páginas 47 a 50 antes de continuar.

¿SABÍA QUE...?

- Puede llevar sus bebidas con usted si usa las tapas de pico.
- Todos los recipientes y tapas están libres de bisfenol A (BPA).
- Nuestras cuchillas, recipientes y tapas son aptos para lavaplatos.



PULSE (PULSO)

Ofrece mayor control de pulsación y licuado. Funciona solo cuando se presiona el botón PULSE (PULSO). Presiónelo de forma breve para obtener pulsos breves.

LOW/MEDIUM/HIGH (BAJA/MEDIA/ALTA)

Seleccione la velocidad que prefiera para tener máximo control.

Auto-iQ BOOST™ (IMPULSO Auto-iQ)

Añade tiempo a cualquier programa Auto-iQ para que usted pueda controlar la consistencia de sus recetas. El botón BOOST (IMPULSO) cambia entre YES (SÍ) y NO (NO): seleccione BOOST YES (IMPULSO SÍ) para obtener resultados más suaves y cremosos; seleccione BOOST NO (IMPULSO NO) para más textura.

Auto-iQ™ EXTRACT (EXTRACTO Auto-iQ)

Ideal para frutas y verduras enteras duras, de hoja o fibrosas, incluidas la cáscara, las semillas y el tallo.

Auto-iQ SMOOTHIE (BATIDO Auto-iQ)

Genial para bebidas cremosas y supersuaves hechas de fruta congelada, hielo o productos lácteos.

Auto-iQ PUREE (PURÉ Auto-iQ)

Licúa los ingredientes en forma automática para crear dips, salsas, y sopas suaves y sedosas.

Auto-iQ FROZEN DRINK (BEBIDAS HELADAS Auto-iQ)

Con esta función ya no hay más misterio para convertir hielo, jugos y fruta en bebidas heladas mezcladas a la perfección.

Auto-iQ TOTAL CRUSH (TRITURADO TOTAL con Auto-iQ)

Pica cubos de hielo (incluso los preparados con café o jugo) para crear conos de raspado y granitas. También pulveriza bayas congeladas para lograr un toque especial en los postres helados.

- 1** Retire todos los materiales de empaque del aparato. Tenga cuidado al desempacar las unidades de cuchillas. Todas las unidades de cuchillas son filosas.
- 2** La unidad de cuchillas apiladas NO está asegurada en su sitio dentro de los recipientes. Para manipular la unidad de cuchillas apiladas, sujétela por la parte superior del eje.
- 3** Para manipular la unidad Pro Extractor Blades®, sujétela por el perímetro exterior de la base de la unidad de cuchillas.
- 4** Lave los recipientes, las tapas y las unidades de cuchillas en agua tibia con jabón con un utensilio para lavar platos con mango a fin de evitar el contacto directo con las cuchillas. Tenga cuidado cuando manipule las unidades de cuchillas, ya que son filosas.
- 5** Enjuague por completo y seque todas las piezas al aire.
- 6** Todos los aditamentos son aptos para lavaplatos. Se recomienda colocar las tapas y las cuchillas en la bandeja superior del lavaplatos. Asegúrese de retirar las unidades de cuchillas de los recipientes antes de colocarlos en el lavaplatos. Tenga cuidado al manipular las unidades de cuchillas.
- 7** Limpie la base del motor con un paño limpio y húmedo.

CÓMO USAR LOS VASOS NUTRI NINJA®

★ **IMPORTANTE:** Revise todas las advertencias de las páginas 47 a 50 antes de continuar.

💡 **CONSEJO:** Para conocer las instrucciones de carga recomendada, consulte la página 63.

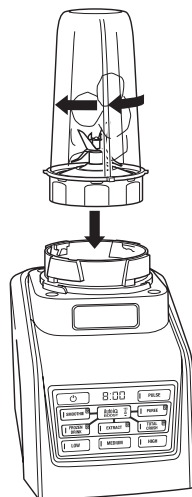
NOTA: Los programas Auto-IQ™ tienen pausas y cambios de velocidad a lo largo del ciclo.



- 1** Coloque la base del motor desenchufada en una superficie nivelada, limpia y seca, como una encimera o una mesa. Presione la base del motor hacia abajo para adherir las ventosas a la superficie de trabajo. Asegúrese de que la base del motor esté conectada a la electricidad.
- 2** Agregue los ingredientes al vaso Nutri Ninja. NO agregue ingredientes más arriba de la línea de nivel máximo de líquido del vaso.



- 3** Instale la unidad Pro Extractor Blades® en la parte superior del vaso. Gire la tapa en el sentido de las manecillas del reloj hasta que esté cerrada de manera ajustada.



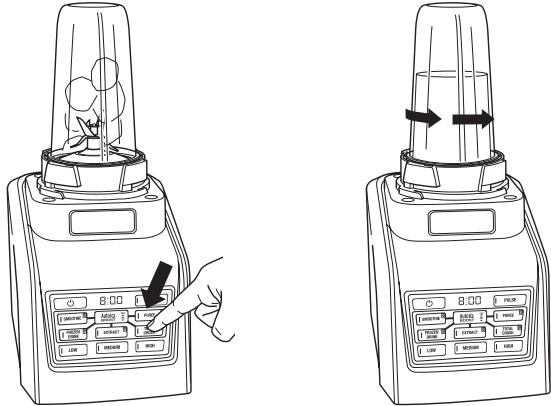
- 4** Invierta el vaso Nutri Ninja® e instálolo en la base del motor. Alinee las lengüetas del vaso con las ranuras de la base; luego, gírelo hasta que escuche un clic. Cuando la unidad esté conectada a la electricidad y el recipiente esté correctamente asegurado en la base del motor, los botones de programas se iluminarán y la unidad estará lista para usarse.

CÓMO USAR LOS VASOS NUTRI NINJA®

★ **IMPORTANTE:** Revise todas las advertencias de las páginas 47 a 50 antes de continuar.

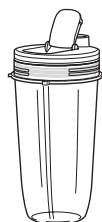
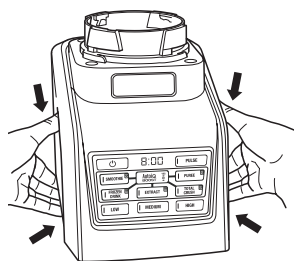
.....

NOTA: Los programas Auto-iQ™ tienen pausas y cambios de velocidad a lo largo del ciclo. Para ver las descripciones de los programas, consulte la página 53.



5 Seleccione el programa que mejor se adapte a su receta. La función Auto-iQ™ detendrá el aparato de manera automática al finalizar el programa. Los ajustes ajenos a Auto-iQ se seguirán ejecutando hasta que se detenga el aparato. Para pausar el aparato en cualquier momento, presione por segunda vez el botón que actualmente está activo. Consulte la página 53 para ver las descripciones de los programas.

6 Para retirar el vaso de la base del motor, gire el vaso en sentido contrario al de las manecillas del reloj y, luego, levántelo para quitarlo de la base del motor.



- 7** Gire la tapa de la unidad Pro Extractor Blades® en sentido contrario al de las manecillas del reloj para retirar la unidad. Tenga cuidado al manipular la unidad de cuchillas, ya que son filosas. No guarde ningún contenido licuado con la unidad Pro Extractor Blades puesta.
- 8** Desenchufe el aparato cuando termine y libere la base del motor de la superficie de trabajo. Para liberar la base del motor, tire de ella suavemente hacia usted. Consulte la página 64 para ver las instrucciones de almacenamiento.
- 9** Si desea disfrutar la bebida fuera de casa, coloque la tapa con pico en el vaso Nutri Ninja y gírela en el sentido de las manecillas del reloj hasta sellarla de forma ajustada. Para guardar ingredientes en el vaso, tápelo solo con la tapa con pico.

CÓMO USAR LA JARRA MAX DE 88 OZ. JARRA TOTAL CRUSHING®

★ **IMPORTANTE:** Revise todas las advertencias de las páginas 47 a 50 antes de continuar.

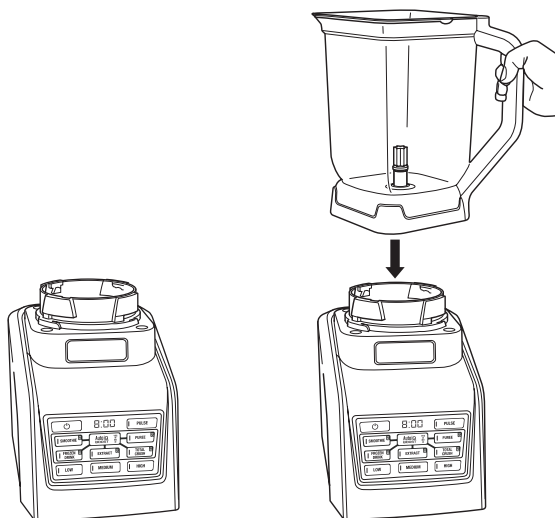
💡 **CONSEJO:** Seleccione **BOOST YES (IMPULSO SÍ)** cuando quiera obtener una consistencia más líquida, menos espesa. Utilice **BOOST NO (IMPULSO NO)** cuando quiera obtener más textura.

💡 **CONSEJO:** Si la unidad de cuchillas apiladas no está totalmente asentada, no podrá instalar y asegurar la tapa en su sitio.

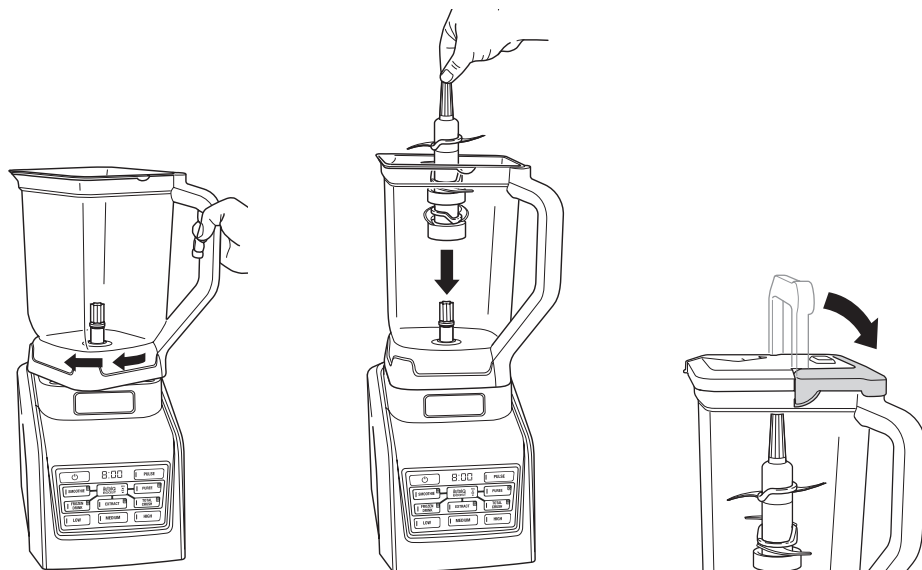
💡 **CONSEJO:** Para conocer más acerca de los programas de la unidad, consulte la página 53.

NOTA: NO agregue ingredientes antes de completar la instalación de la unidad de cuchillas apiladas.

NOTA: La jarra puede instalarse con dos orientaciones diferentes. El asa puede colocarse en el vértice frontal derecho o en el vértice frontal izquierdo de la base del motor.



- 1** Enchufe la base del motor y colóquela en una superficie nivelada, limpia y seca, como una encimera o una mesa. Presione la base del motor hacia abajo para adherir las ventosas a la superficie de trabajo.
- 2** Baje la jarra hasta la base del motor. El asa debe alinearse levemente a la derecha y la jarra debe orientarse de modo que los símbolos de **LOCK (TRABA)** queden visibles en la base del motor. Luego, rote el recipiente hacia la izquierda hasta que oiga un clic.

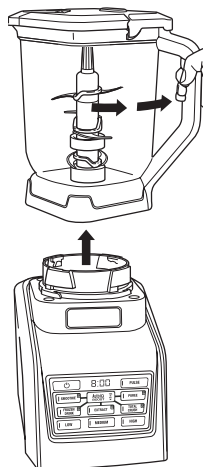
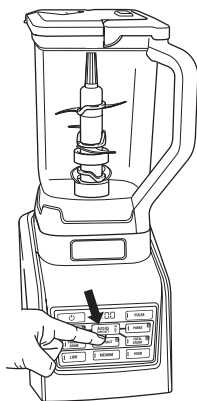


- 3** Sujete con cuidado la unidad de cuchillas apiladas por la parte superior del eje y colóquela en el engranaje de accionamiento dentro de la jarra. Tenga en cuenta que la unidad de cuchillas calzará de manera holgada en el engranaje de accionamiento.
- 4** Agregue los ingredientes a la jarra y asegúrese de que no superen la línea de llenado MAX (MÁXIMO) en la pared de la jarra. Al licuar cualquier tipo de líquidos, como bebidas o batidos, NO supere la marca de líquido MAX (MÁXIMO) en la pared de la jarra.
- 5** Coloque la tapa en la jarra, alineando el símbolo de triángulo ubicado sobre la tapa con el símbolo de triángulo ubicado sobre el asa de la jarra. Presione el asa hacia abajo hasta que oiga un clic. Los símbolos de triángulo DEBEN quedar alineados para que la tapa se asegure en su sitio y el aparato funcione. Cuando la unidad esté conectada a la electricidad y el recipiente esté correctamente asegurado en la base del motor, los botones de programas se iluminarán y la unidad estará lista para usarse.

CÓMO USAR LA JARRA MAX DE 88 OZ. JARRA TOTAL CRUSHING®, CONTINUACIÓN

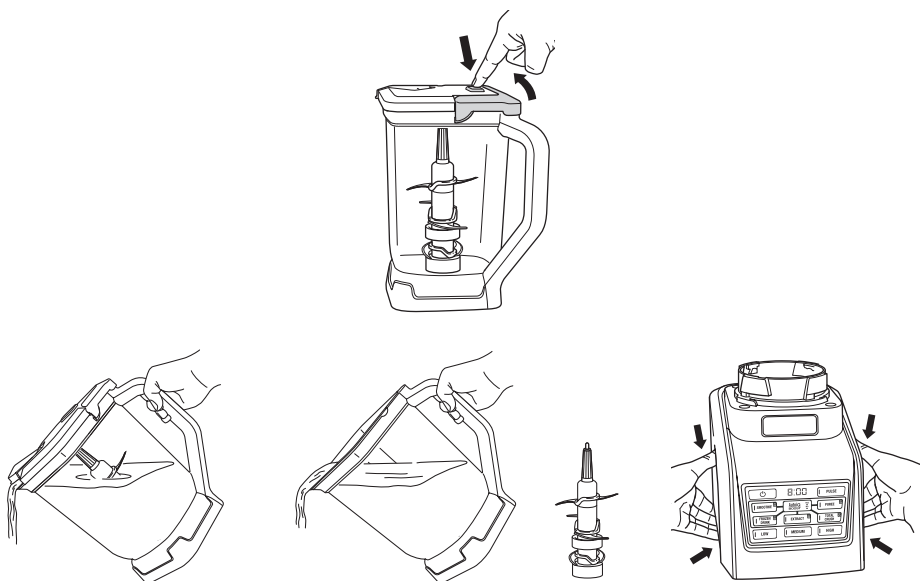
★ **IMPORTANTE:** Revise todas las advertencias de las páginas 47 a 50 antes de continuar.

★ **IMPORTANTE:** Como función de seguridad, la luz de encendido destellará, y el motor se desactivará si la jarra y la tapa no están instalados en forma adecuada. Si sucede esto, repita el paso 5 de la página 60. Cuando la jarra y la tapa estén instaladas en forma adecuada, la luz de encendido quedará fija, lo que indica que el aparato está listo para utilizarse.



NOTA: Para picar de manera pareja, use PULSE (PULSO) en intervalos breves con los ingredientes. Para ver las descripciones de los programas, consulte la página 53.

- 6 Seleccione la velocidad o el programa Auto-iQ™ que mejor se adapte a su receta. La función Auto-iQ detendrá el aparato de manera automática al finalizar el programa. Los ajustes ajenos a Auto-iQ se seguirán ejecutando hasta que se detenga el aparato. Para pausar el aparato en cualquier momento, presione por segunda vez el botón que actualmente está activo.
- 7 Cuando los ingredientes tengan la consistencia que usted desea, detenga el aparato presionando el botón de encendido y espere a que el aparato se detenga por completo.
- 8 Para retirar la jarra de la base del motor, gire la jarra en sentido contrario al de las manecillas del reloj y, luego, levántela para quitarla de la base del motor.



9 Para las mezclas más líquidas, asegúrese de que la tapa esté trabada en su lugar, levante la tapa con pico vertedor que se encuentra en la tapa y utilice el pico vertedor para vaciar el contenido de la jarra.

10 Para las mezclas más espesas que no pueden vaciarse por el pico vertedor, retire la tapa y la unidad de cuchillas apiladas antes de verter el contenido de la jarra. Para retirar la tapa, presione el botón RELEASE (LIBERACIÓN) que se encuentra sobre la tapa y levante el asa. Luego, puede retirarse la tapa de la jarra. Para retirar la unidad de cuchillas apiladas, sujete con cuidado la unidad de cuchillas por la parte superior del eje y retírela de la jarra. Luego, puede vaciarse la jarra.

11 Desenchufe el aparato cuando termine y libere la base del motor de la superficie de trabajo. Para liberar la base del motor, coloque las manos por debajo y tire de ella suavemente hacia usted. Consulte la página 64 para ver las instrucciones de almacenamiento.

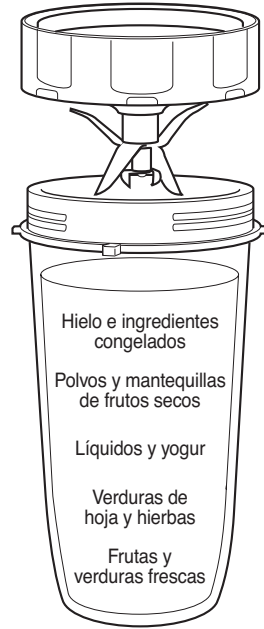
USOS SUGERIDOS E INSTRUCCIONES DE LLENADO

★ **IMPORTANTE:** Revise todas las advertencias de las páginas 47 a 50 antes de continuar.

.....

CÓMO SOLICITAR PIEZAS DE REPUESTO

Para solicitar piezas y aditamentos adicionales, visite ninjakitchen.com o comuníquese con nuestro servicio al cliente al 1-877-646-5288.



CÓMO LLENAR EL VASO NUTRI NINJA®

Para obtener los mejores resultados, siempre siga las instrucciones de la receta al llenar los vasos Nutri Ninja. Cuando no esté usando una receta, aplique las siguientes pautas:

Comience con la fruta o las verduras frescas (para obtener mejores resultados, corte los ingredientes en trozos de 2,5 cm). Después, agregue las verduras de hoja verde o hierbas, seguidas de los líquidos como agua, jugo, leche o yogurt. Luego, agregue las semillas, los polvos o las cremas de nueces. Por último, agregue el hielo o los ingredientes congelados. Recuerde apretar con firmeza la unidad Pro Extractor Blades® y no llenar demasiado el vaso.

CUIDADO Y MANTENIMIENTO

LIMPIEZA

- 1 Separe todas las piezas.
- 2 Lave todos los recipientes en agua tibia con jabón con un paño suave.

3 Lavado a mano

Lave las unidades de cuchillas en agua tibia con jabón con un utensilio para lavar platos con mango a fin de evitar el contacto directo con las cuchillas. Tenga cuidado al manipular las unidades de cuchillas, ya que son filosas. Enjuague por completo y seque todas las piezas al aire.

Lavaplatos

Todos los aditamentos son aptos para lavaplatos. Se recomienda colocar las tapas y las cuchillas en la bandeja superior del lavaplatos. Asegúrese de retirar las unidades de cuchillas de los recipientes antes de colocarlos en el lavaplatos. Tenga cuidado al manipular las unidades de cuchillas

- 4 Limpie la base del motor con un paño limpio y húmedo. Antes de usarla, permita que pase el tiempo necesario para que se seque.

ALMACENAMIENTO

Guarde la unidad en posición vertical, y guarde todas las unidades de cuchillas en el interior o unidas a sus respectivos recipientes con las tapas aseguradas en su sitio.

NO guarde ingredientes licuados o no licuados en el vaso Nutri Ninja® con la unidad de cuchillas puesta.

NO apile artículos sobre los recipientes. Guarde los aditamentos restantes junto con el aparato o en un gabinete donde no resulten dañados ni representen un peligro.

CÓMO REINICIAR EL TERMOSTATO DEL MOTOR

Este aparato tiene un sistema de seguridad único que evita que el motor y el sistema de accionamiento sufran daños en caso de que usted sobrecargue el aparato sin darse cuenta. Si el aparato se sobrecarga, se desactivará el motor de manera temporal. Si esto llegara a ocurrir, siga este procedimiento de reinicio.

- 1 Desenchufe el aparato del tomacorriente.
- 2 Deje que el aparato se enfríe durante, aproximadamente, 15 minutos.
- 3 Retire la tapa del recipiente y la unidad de cuchillas. Vacíe el recipiente y asegúrese de que no haya ingredientes que obstruyan la unidad de cuchillas.
- 4 Reinicie la unidad según las instrucciones correspondientes para el recipiente y el tipo de cuchillas.

IMPORTANTE: Asegúrese de no superar las capacidades máximas. Esta es la causa más común de sobrecarga del aparato.

Comuníquese con el Servicio al Cliente llamando al 1-877-646-5288 si es necesario realizar algún tipo de mantenimiento al aparato.

GUÍA DE SOLUCIÓN DE PROBLEMAS

⚠ ADVERTENCIA: Para reducir el riesgo de descargas y de operación accidental, apague y desenchufe la unidad antes de resolver el problema.

El motor no arranca o la unidad de cuchillas no rota.

- Asegúrese de que el recipiente esté firmemente colocado sobre la base del motor.
- Asegúrese de que la tapa se encuentre firmemente colocada sobre el recipiente en la posición correcta (alinee las flechas).
- El aparato está apagado. Presione el botón de encendido (b) para encenderlo.
- Verifique que el enchufe esté firmemente introducido en el tomacorriente.
- Verifique el fusible o el disyuntor.
- La unidad se ha sobrecargado. El aparato se detendrá, y la luz de encendido destellará. Desenchufe y espere, aproximadamente, 15 minutos antes de volver a utilizarlo.
- La unidad se ha recalentado. Desenchufe y espere, aproximadamente, 15 minutos antes de volver a utilizarla.
- Asegúrese de que la unidad no está sobrecargada.

El picado de los alimentos es demasiado fino o aguado.

- El alimento se ha procesado demasiado. Utilice el botón PULSE (PULSO) para procesar en forma controlada.

El alimento se acumula en la tapa o en las paredes del recipiente.

- La mezcla es demasiado espesa. Agregue más líquido.

No pueden hacerse raspados a partir de hielo sólido.

- No utilice hielo que haya estado fuera del congelador o que haya comenzado a derretirse. Utilice hielo recién sacado del congelador.
- Comience con algunas pulsaciones y, luego, continúe con un ciclo de licuado continuo.

La base del motor no se adhiere a la superficie de la encimera o de la mesa.

- Asegúrese de que la superficie y las ventosas estén limpias. Las ventosas solo se adherirán a superficies lisas. Las ventosas NO se adherirán a determinadas superficies, como madera, azulejos y acabados no pulidos.
- NO intente usar el aparato cuando la base del motor esté adherida a una superficie que no sea segura (tablas de cortar, fuentes, platos, etc.).

Recibe un mensaje de “ERR” (error).

- La Nutri Ninja® | Ninja® BlendMax DUO™ puede detectar qué recipiente se encuentra sobre la base del motor. Es posible que esté intentando utilizar un programa que no está diseñado para el recipiente que ha instalado. Las luces de los programas se encenderán e indicarán qué programas hay disponibles para cada recipiente.
- Puede aparecer un mensaje de error (“ERR”) si la unidad estuvo funcionando durante más de 2 minutos en un período de tiempo breve. Si esto ocurre, desenchufe la unidad durante 1 minuto antes de volver a utilizarla.

Se encendió una luz roja que parpadea.

- La unidad no está instalada adecuadamente. Por su seguridad, la unidad solo podrá encenderse cuando esté ensamblada adecuadamente. Consulte las páginas sobre ensamblaje de esta guía del propietario para obtener asistencia.

La garantía limitada de 1 año se aplica a las compras realizadas a los vendedores minoristas autorizados de SharkNinja Operating LLC. La cobertura de garantía se aplica solo al propietario original y al producto original, y no puede transferirse.

SharkNinja garantiza que la unidad estará libre de defectos de materiales y de mano de obra durante un período de 1 año desde la fecha de compra, siempre y cuando se use en condiciones domésticas normales y se efectúe su mantenimiento de acuerdo con los requisitos descritos en este manual de instrucciones, sujeto a las siguientes condiciones y exclusiones.

¿Qué cubre mi garantía?

1. La unidad original y/o los componentes que no se gastan que se consideren defectuosos, a criterio exclusivo de SharkNinja, serán reparados o reemplazados durante un período máximo de 1 año a partir de la fecha de compra original.
2. En el raro caso de que se entregue una unidad de reemplazo, la cobertura de la garantía terminará seis meses después de la fecha de recepción de la unidad de reemplazo o cuando termine el plazo restante de la garantía vigente, lo que sea mayor. Si se reemplaza la unidad, SharkNinja se reserva el derecho de reemplazarla con una unidad de igual o mayor valor.

¿Qué no cubre mi garantía?

Nuestros especialistas de atención al cliente/productos están a su disposición para proporcionar todas las opciones de servicio de garantía disponibles para usted, incluida la posibilidad de mejorar su garantía a nuestras opciones de servicio de garantía VIP para categorías de productos exclusivas.

1. Esta garantía no cubre el desgaste normal de las piezas que se gastan (lo que incluye todos los recipientes de licuado, tapas, cuchillas y base de la licuadora), que requieren mantenimiento regular y/o reemplazo para asegurar el funcionamiento adecuado de la unidad.
2. Cualquier unidad que haya sido alterada o usada con fines comerciales.
3. SharkNinja cubrirá el costo de envío de la unidad, por parte del cliente, para ser reparada o reemplazada. Se cobrará una tarifa de 19,95 USD para cubrir el costo de envío al momento de realizar el envío para devolver la unidad reparada o reemplazada.
4. Daños causados por el uso incorrecto, el abuso, la manipulación negligente o el maltrato durante el transporte.
5. Daños emergentes e incidentales.
6. Defectos causados por daños provocados en el transporte o las reparaciones, el servicio técnico, o alteraciones al producto o a cualquiera de sus piezas que hayan sido realizados por un técnico no autorizado por SharkNinja o que resulten de estos.
7. Productos comprados, usados u operados fuera de Norteamérica.

Problemas con su unidad/Cómo solicitar el servicio técnico:

Si su aparato no funciona de forma adecuada cuando se usa en condiciones domésticas normales dentro del período de garantía, visite ninjakitchen.com para obtener instrucciones de cuidado/mantenimiento del producto que usted mismo pueda llevar a cabo. Nuestros especialistas de atención al cliente/productos también están a su disposición para brindarle asistencia para el producto y opciones de servicio de garantía si llama al 1-877-646-5288.

Cómo iniciar un reclamo de garantía:

Primero, debe activar su garantía registrando su unidad en línea en ninjakitchen.com/customersupport (Nota: Las compras realizadas directamente a SharkNinja se registran automáticamente y se activa la garantía). De manera alternativa, puede llamar al 1-877-646-5288 para que un especialista de atención al cliente lo ayude. Tenga en cuenta que debe llamar al 1-877-646-5288 para iniciar un reclamo de garantía. Las instrucciones de devolución y embalaje se le proporcionarán en ese momento.

La línea de atención al cliente está abierta de lunes a viernes de 8 a. m. a 10 p. m., hora oficial del este (Eastern Time, ET) y los sábados de 9 a. m. a 6 p. m., ET.

Se pueden comprar piezas de repuesto en ninjakitchen.com. Para obtener más información sobre lo que se clasifica como piezas que se gastan y piezas que no se gastan, visite ninjawarranty.com.

Esta garantía le otorga derechos legales específicos, y usted también puede tener otros derechos que varían según el estado.

Algunos estados no permiten la exclusión o la limitación de los daños incidentales o emergentes, por lo que lo anterior puede no aplicarse en su caso.



SharkNinja Operating LLC
US: Newton, MA 02459
CAN: Ville St-Laurent, QC H4S 1A7
1-877-646-5288
ninjakitchen.com

Illustrations may differ from actual product. We are constantly striving to improve our products; therefore the specifications contained herein are subject to change without notice.

Ninja, Nutri Ninja, Pro Extractor Blades, and Total Crushing are registered trademarks of SharkNinja Operating LLC.

Auto-iQ Boost, Auto-iQ, BlendMax and DUO are trademarks of SharkNinja Operating LLC.

For SharkNinja U.S. Patent information visit sharkninja.com/USPatents

SharkNinja Operating LLC
États-Unis : Newton, MA 02459
Canada : Saint-Laurent (Québec) H4S 1A7
1-877-646-5288
ninjakitchen.com

Les illustrations peuvent différer du produit réel. Nous tentons constamment d'améliorer nos produits; par conséquent, les spécifications indiquées dans le présent guide peuvent être modifiées sans préavis.

Ninja, Nutri Ninja, les lames Pro Extractor et Total Crushing sont des marques de commerce déposées de SharkNinja Operating LLC.

Auto-iQ Boost, Auto-iQ, BlendMax et DUO sont des marques de commerce de SharkNinja Operating LLC.

Pour obtenir de l'information sur les brevets de SharkNinja aux É.-U., visitez le sharkninja.com/USPatents

SharkNinja Operating LLC
EE. UU.: Newton, MA 02459
CANADÁ: Ville St-Laurent, QC H4S 1A7
1-877-646-5288
ninjakitchen.com

Las ilustraciones pueden diferir del producto real. Nos esforzamos constantemente por mejorar nuestros productos, por lo que las especificaciones que se incluyen en el presente pueden cambiar sin previo aviso.

Ninja, Nutri Ninja, Pro Extractor Blades y Total Crushing son marcas comerciales registradas de SharkNinja Operating LLC.

Auto-iQ Boost, Auto-iQ, BlendMax y DUO son marcas comerciales de SharkNinja Operating LLC.

Para obtener información sobre las patentes de SharkNinja en los EE. UU., visite sharkninja.com/USPatents

