

NINJA®

STORM™

QB750Q series

OWNER'S GUIDE



www.ninjakitchen.com

IMPORTANT SAFETY INSTRUCTIONS

For Household Use Only

WHEN USING ELECTRICAL APPLIANCES, BASIC SAFETY PRECAUTIONS SHOULD ALWAYS BE FOLLOWED, INCLUDING THE FOLLOWING:

READ ALL INSTRUCTIONS BEFORE USING YOUR NINJA® STORM™

POLARIZED PLUG

WARNING: To reduce the risk of electric shock, this appliance has a polarized plug (one blade is wider than the other). This plug will fit into a polarized outlet only one way. If the plug does not fit fully into the outlet, reverse the plug. If it still does not fit, contact a qualified electrician to install the proper outlet. **DO NOT modify the plug in any way.**

WARNING:

TO REDUCE THE RISK OF FIRE, ELECTRIC SHOCK OR INJURY:

1. Close supervision is necessary when any appliance is used by or near children.
2. To protect against electric shock, **DO NOT** immerse cord, plug or any part of the main unit in water or any other liquids.
3. **DO NOT** let cord hang over edge of table or counter, or touch hot surfaces.
4. **DO NOT** operate any appliance with a damaged cord or plug, or after the appliance malfunctions, has been dropped or damaged in any manner. Return the appliance to EURO-PRO Operating LLC for examination, repair or adjustment.
5. Unplug appliance from outlet when not in use and before cleaning.
6. **DO NOT** place on or near a hot gas or electric burner.
7. The use of accessory attachments, including canning jars not recommended by EURO-PRO Operating LLC may cause fire, electrical shock or risk of personal injury.
8. Extreme caution must be used when moving an appliance containing hot food, water or other liquids.
9. Use this appliance on a stable work surface away from water.
10. **DO NOT** remove the motor head before the chopping blades have stopped turning.



11. **CAUTION!** Chopping blades are sharp, handle with care. When handling the chopping blades, always hold by the plastic shaft.
12. **DO NOT** attempt to sharpen blades.
13. **DO NOT** expose jars to extreme temperature changes.
14. **DO NOT** use jars if they are cracked or chipped.
15. **DO NOT** use the appliance if chopping blades are bent or damaged.
16. Avoid contact with moving parts at all times. Keep hands, hair, clothing as well as spatulas and other utensils away from pitcher or chopping container during operation to prevent risk of personal injury and/or damage to the appliance.
17. Exercise extreme caution when blending hot liquids.
18. Immediately release the On/Off pulse button on the motor head in the event that the appliance malfunctions during use.
19. To reduce the risk of injury, **NEVER** operate the appliance without the splash guard in place; **DO NOT** try to defeat the interlock mechanism; make sure that the cutting blades are properly assembled before operating the appliance.
20. **DO NOT** use outdoors.
21. **DO NOT** use appliance for other than intended use.
22. **DO NOT** operate the appliance for more than 15 seconds.
23. **DO NOT** operate the appliance empty.
24. If the appliance overheats, a thermal switch will become activated and shut off the motor. To reset, unplug the appliance and let it cool down for approximately 10 minutes before using again.

NOTE: This unit has a short power supply cord to reduce the risk resulting from becoming entangled in or tripping over a long cord. An extension cord may be used if you are careful in its use:

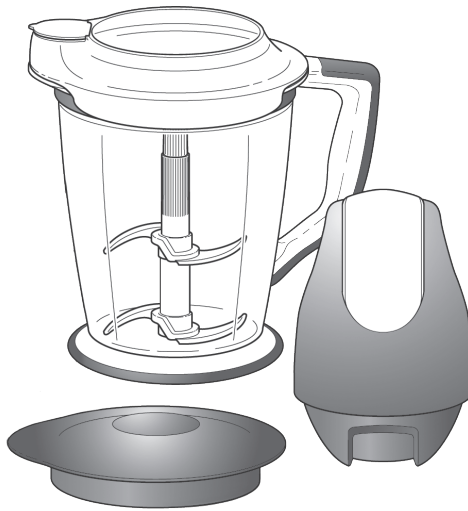
 1. The electrical rating of the extension cord should be at least as great as the electrical rating of the appliance.
 2. An extension cord with the power cord must be arranged so that it will not drape over the countertop or tabletop where they can be pulled on by children or tripped over accidentally.

SAVE THESE INSTRUCTIONS

Contents

**Thank you for
purchasing
the Ninja®
Storm™.**

Getting Started	5
Using the Ninja® Storm™ Pitcher	6
Cleaning and Maintenance	8
Troubleshooting Guide	8
Warranty	11



THIS BOOK COVERS MODEL NUMBERS:

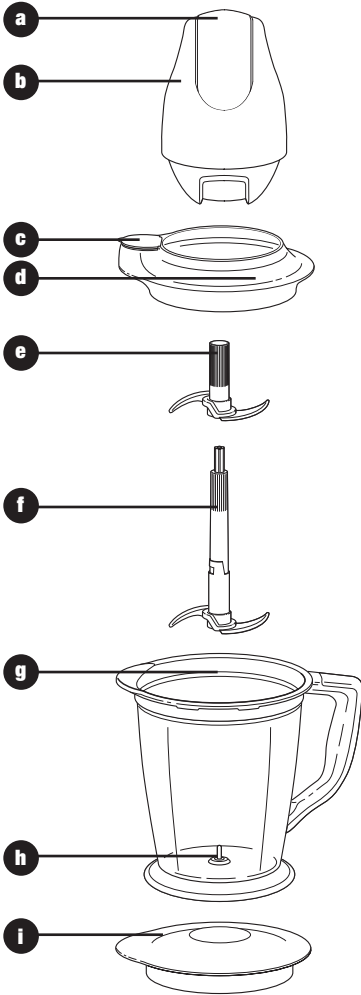
- QB750QBK 30
- QB750QR 30
- QB750QO 30
- QB750QPR 30
- QB750QGN 30
- QB750QBL 30

TECHNICAL SPECIFICATIONS

- Voltage: 120V., 60Hz.
- Power: 400 Watts
- Pitcher Capacity: 1.42 L (48 ounces) (6 cups)

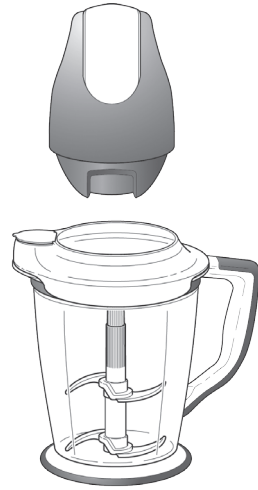


Getting Started



- a On/Off Pulse Button
- b Power Head
- c Pouring Spout
- d Pitcher Splash Guard
- e Upper Blade (pitcher)
- f Lower Blade (pitcher)
- g **Ninja® Storm™** Pitcher with Non-Slip Base
- h Spindle Pin
- i Pitcher Storage Lid

The Ninja® **Storm™** is an indispensable kitchen tool that is perfect for blending, chopping, mixing or pureeing when preparing your favorite recipes. For best results, be sure to carefully read all the instructions contained in the manual before using this appliance.

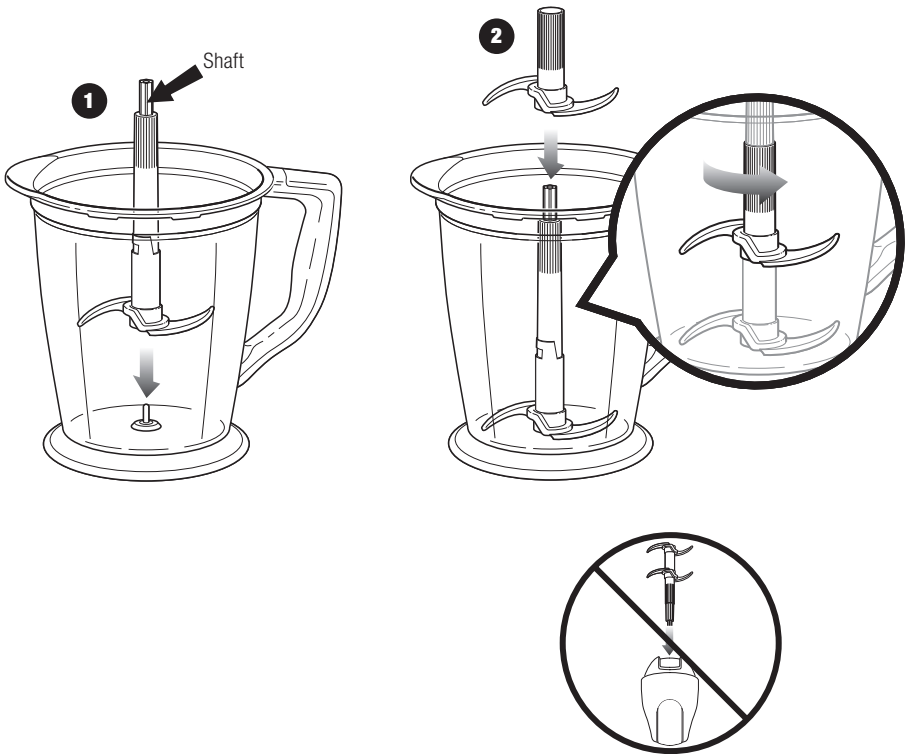


400 Watt Power Head

NEVER allow the power head to become wet when plugged into an electrical outlet.

- ⚠ WARNING:** The power head should never be immersed in water or any other liquid.
- ⚠ CAUTION:** Make sure that the power head is unplugged from the electrical outlet and that the blades have stopped turning before attaching or removing any accessory.
- ⚠ CAUTION:** **Blades are sharp! Use extreme caution when handling the blades. Always hold them by the shaft. Do not attempt to sharpen blades.**
- ⚠ IMPORTANT:** **Never run the appliance empty.**

Using the Ninja® Storm™ Pitcher



⚠ CAUTION: Blades are sharp! Use extreme caution when handling the blades. Always hold them by the shaft.

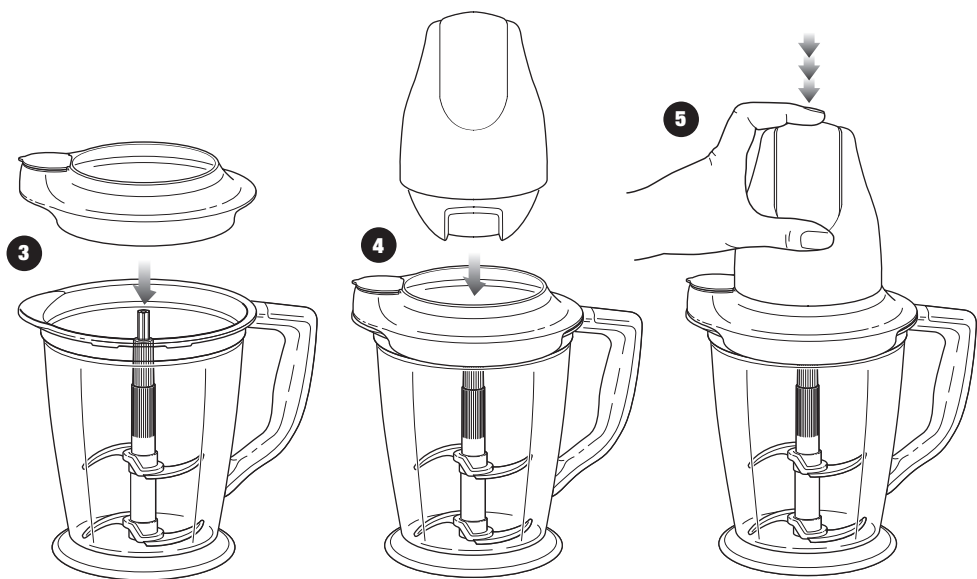
⚠ IMPORTANT: Never run the appliance empty.

- 1 Place the **Ninja® Storm™** pitcher on a clean, dry, level surface.
- 2 Holding the lower blade by the shaft, place it onto the spindle pin inside the **Ninja® Storm™** pitcher. (fig. 1)
- 3 Carefully insert the upper blade over the lower blade rotating it until it locks onto the lower blade. (fig. 2)

⚠ IMPORTANT: Always assemble the blades inside the container.

⚠ WARNING: DO NOT try to place the blades onto the power head and then into the pitcher.

- 4 Add the ingredients to be processed into the **Ninja® Storm™** pitcher.
- ⚠ IMPORTANT:** Never add ingredients into the pitcher before placing the blade assembly in first.
- 5 Place the pitcher splash guard onto the top of the pitcher. (fig. 3)
- 6 Place the power head on top of the pitcher splash guard making sure that it is securely in place. (fig. 4) **DO NOT** attempt to operate the appliance without the safety splash guard in place.



- 7 To start the appliance, plug the power cord into the electrical outlet, securely hold power head while operating and press on the on/off pulse button located on the top of the power head. (fig. 5)
- 8 Hold the pitcher firmly while depressing the on/off pulse button to ensure the unit stays in place.
NOTE: DO NOT operate the appliance continuously for more than 15 seconds at a time.
- 9 To stop the appliance, remove your fingers from the on/off pulse button.
- 10 In order to obtain a better quality of chopping, operate the appliance by using the “pulse” method.
- 11 Make sure that the blades have stopped completely before removing the power head.
- 12 If the ingredients stick to the side of the pitcher, stop the appliance, remove the power head and the splash guard. Use a spatula to dislodge the pieces and then replace the splash guard and the power head. Continue processing.
- 13 Depending on the consistency of the contents, use the pouring spout to empty liquid contents.
- 14 For thicker consistencies, first remove splash guard and blade assembly (by its shaft), then empty contents of the **Ninja® Storm™** pitcher.

Cleaning and Maintenance

⚠ CAUTION: Make sure that the power head is unplugged from power source before inserting or removing any attachment and before cleaning.

DO NOT immerse the power head into water or any other liquid. Clean with a damp sponge or cloth and wipe dry.

The pitcher, storage lid, splash guard and chopping blades are all dishwasher safe. It is recommended to place the storage lid and the chopping blades on the top rack. Use extreme caution when handling the chopping blades as they are very sharp.

Clean the **Ninja® Storm™** and all parts before first use and immediately after each use.

Troubleshooting Guide

PROBLEMS	POSSIBLE REASONS & SOLUTIONS
Motor doesn't start or blades don't rotate.	<p>Check that the bottom of motor head is clean and there is no food blocking connection when placing on containers.</p> <p>There is too much food in the container.</p> <p>The unit has overheated. Unplug and wait approximately 10 minutes before using again.</p> <p>Make sure the splash guard is securely on container.</p> <p>Make sure the power head is securely placed on splash guard.</p> <p>Check that the plug is securely inserted into the electrical outlet.</p> <p>Check fuse or breaker. Replace fuse/reset breaker.</p>
Food is unevenly chopped.	<p>Either you are chopping too much food at one time, or the pieces are not small enough. Try cutting the food into smaller pieces of even size and processing smaller amounts per batch.</p>
Food is chopped too fine or is too watery.	<p>The food has been over processed. Use brief pulses or process for shorter time. Let blades stop completely between pulses.</p>
Food collects on splash guard/safety cover or on the sides of the Ninja® Storm™ pitcher.	<p>You may be processing too much food. Turn the machine off. When the blades stop rotating, remove the power head and the splash guard. Remove some of the food being processed.</p>
You cannot achieve snow from solid ice.	<p>Do not use ice that has been sitting out or has started to melt. Be sure to use short pulses in the beginning to break up large pieces.</p>

EURO-PRO

ONE (1) YEAR LIMITED WARRANTY

EURO-PRO Operating LLC warrants this product to be free from material defects and workmanship for a period of one (1) year from the date of purchase when utilized for normal household use, subject to the following conditions, exclusions and exceptions.

The liability of **EURO-PRO Operating LLC** is limited solely to the cost of the repair or replacement of the unit at our option. This Limited Warranty does not cover normal wear of parts and does not apply to any unit that has been tampered with or used for commercial purposes. This Limited Warranty does not cover damage caused by misuse, abuse, negligent handling or damage due to faulty packaging or mishandling in transit. This Limited Warranty does not cover damage or defects caused by or resulting from damages from shipping or repairs, service or alteration to the product or any of its parts, which have been performed by a repair person not authorized by **EURO-PRO Operating LLC**.

If your appliance fails to operate properly while in use under normal household conditions within the Limited Warranty period, you may return the complete appliance and accessories with proof of purchase and date, freight prepaid. For Customer Service support, call 1-877-646-5288 or visit our website www.ninjakitchen.com.

If the appliance is found by **EURO-PRO Operating LLC** to be defective, in **EURO-PRO Operating LLC's** sole discretion, we will repair or replace it free of charge. Proof of purchase date and a check made payable to **EURO-PRO Operating LLC** in the amount of \$19.95 to cover the cost of return shipping and handling must be included.*

This Limited Warranty is extended to the original purchaser of the unit and excludes all other legal, implied and/or conventional warranties. The responsibility of **EURO-PRO Operating LLC** if any, is limited to the specific obligations expressly assumed by it under the terms of this Limited Warranty. In no event is **EURO-PRO Operating LLC** liable for incidental or consequential damages to anyone of any nature whatsoever. Some states do not permit the exclusion or limitation of incidental or consequential damages, so the above may not apply to you.

This Limited Warranty gives you specific legal rights, and you may also have other rights which vary from state to state or from province to province.

***IMPORTANT: Carefully pack item to avoid damage in shipping. Be sure to include proof of purchase date and to attach tag to item before packing with your name, complete address and phone number with a note giving purchase information, model number and what you believe is the problem with the item. We recommend you insure the package (as damage in shipping is not covered by your Limited Warranty). Mark the outside of your package "ATTENTION CUSTOMER SERVICE". We are constantly striving to improve our products, therefore the specifications contained herein are subject to change without notice.**

Product Registration

Please visit www.ninjakitchen.com or call **1-877-646-5288** to register your new Ninja® product within ten (10) days of purchase. You will be asked to provide the store name, date of purchase and model number along with your name and address.

The registration will enable us to contact you in the unlikely event of a product safety notification. By registering you acknowledge to have read and understood the instructions for use, and warnings set forth in the accompanying instructions.

Euro-Pro Operating LLC

US: Newton, MA 02459

CAN: Ville St-Laurent, QC H4S 1A7

1-877-646-5288

www.ninjakitchen.com

Copyright © 2014 Euro-Pro Operating LLC

Printed in China

Illustrations may differ from actual product.

QB750Q_30_SERIES_E_140411_1