

Please make sure to read the enclosed Ninja® Owner's Guide prior to using your unit.

NINJA® **DUO**®

Smart Screen™

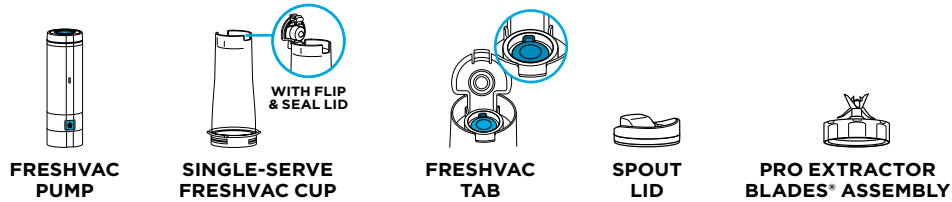
B L E N D E R

—with FRESHVAC™ TECHNOLOGY—

**QUICK
START
GUIDE**

SINGLE-SERVE FRESHVAC™ CUP

PARTS



INSTALLING THE BATTERIES IN THE FRESHVAC PUMP

- 1 Unscrew the FreshVac Pump's power button cap and remove the spring-loaded battery cover.
- 2 Install 6 AA alkaline batteries (included), ensuring the +/- symbols on the batteries match the markings on the battery cover and battery housing.
- 3 Replace the battery cover, making sure it is fully seated and clicked in place.
- 4 Screw on the pump's power button cap.

ASSEMBLY

- 1 Fill Single-Serve FreshVac Cup with desired contents.
- 2 Place Pro Extractor Blades Assembly on cup and rotate clockwise until tightly sealed.
- 3 Flip cup upside down and lower it onto base.
- 4 Turn cup clockwise to lock in place.

BLEND & ENJOY

Connect the base to power source. Press and hold Power symbol. After the unit is turned on, display will flash "1" until the cup is correctly connected to the base.

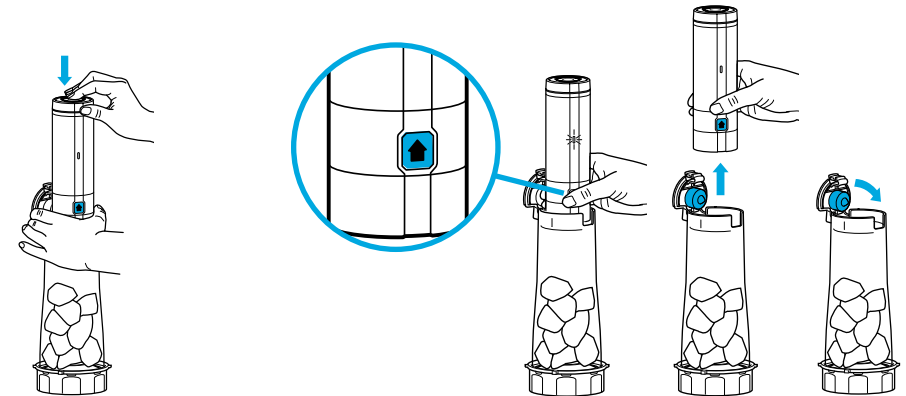
- 1 Select any of the illuminated programs to begin blending.
- 2 When blending is complete, turn cup counterclockwise and lift to remove.
- 3 Turn blade assembly counterclockwise to remove.
- 4 Place spout lid on top of cup and turn clockwise to lock in place.

Once a container is locked onto base, the program buttons compatible with that container will illuminate.

WARNING: Handle the Pro Extractor Blades Assembly with care, as the blades are sharp.

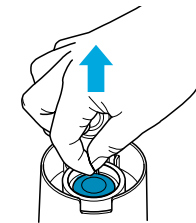
VACUUM BLENDING WITH THE SINGLE-SERVE FRESHVAC™ CUP

- 1 Fill the cup as desired and assemble the Pro Extractor Blades Assembly on top of the cup.
- 2 Turn cup upside down so the Flip & Seal Lid is on top and the bottom of the blade assembly is flat on the counter.
- 3 Open the Flip & Seal Lid by pressing and lifting the latch. Set the FreshVac Pump on top of the FreshVac Tab. The pump **DOES NOT** lock into place on the lid.



- 4 Press the power button on top of the pump to begin vacuum sealing. The pump will shut off automatically once vacuum sealing is complete.
- 5 To release the pump from the cup, press the pump release button on the bottom front of the pump and lift. Click the Flip & Seal Lid closed.

- 6 Lock cup in place on base and blend as desired. Once blending is complete, remove the cup from the base and place the cup flat on the counter.
- 7 Gently pull up on the FreshVac tab to release the vacuum seal, then close the Flip & Seal Lid.
- 8 Remove the Pro Extractor Blades Assembly and screw the spout lid clockwise onto the cup.



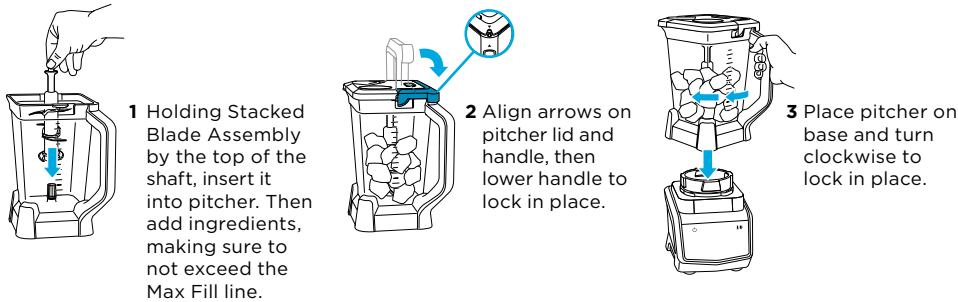
WARNING: Handle the blade assemblies with care when washing, as the blades are sharp. Contact with the blades' edges can result in laceration.

FRESHVAC™ PITCHER

PARTS

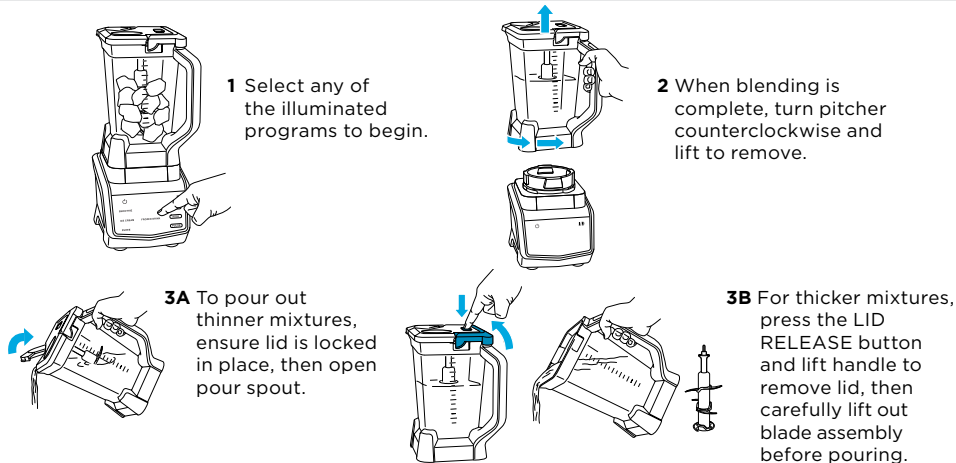


ASSEMBLY



BLEND & ENJOY

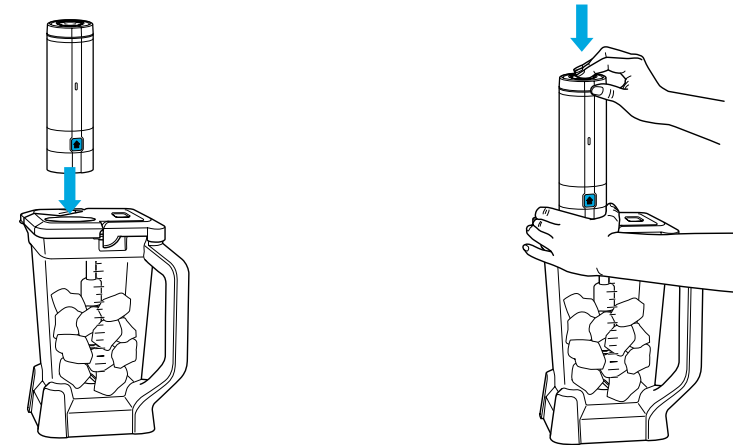
Connect the base to power source. Press and hold Power symbol. After the unit is turned on, display will flash "■ ■" until the cup is correctly connected to the base.



Once a container is locked onto base, the program buttons compatible with that container will illuminate.

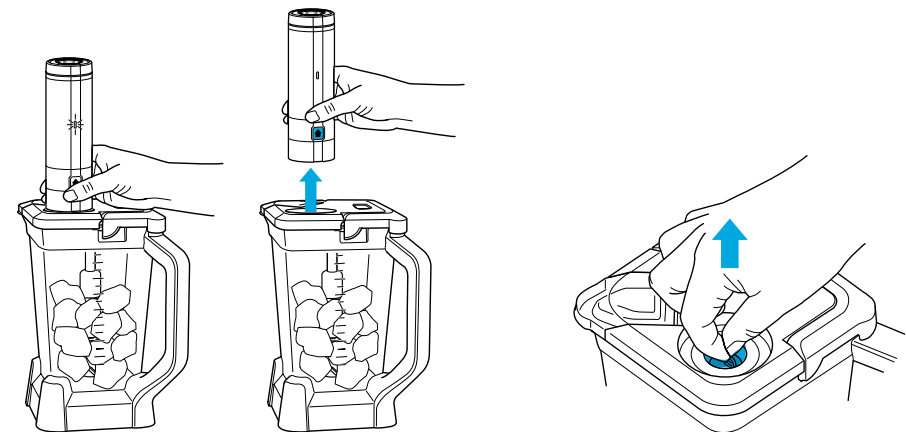
⚠ WARNING: Stacked Blade Assembly is sharp and not locked in place. Make sure lid is locked onto pitcher before pouring contents. If pouring without lid, carefully remove blade assembly first. Failure to do so will result in a risk of laceration. Refer to the Ninja® Owner's Guide for additional information.

VACUUM BLENDING WITH THE FRESHVAC™ PITCHER



1 Fill the pitcher as desired and lock the lid in place. Then set the pitcher on a level surface and place the FreshVac Pump on top of the FreshVac Tab on the lid. The pump **DOES NOT** lock into place on the lid.

2 Press the power button on top of the pump to begin vacuum sealing. The pump will shut off automatically once vacuum sealing is complete.



4 To release the pump from the pitcher, press the pump release button on the bottom front of the pump and lift.

5 Lock pitcher onto base and blend as desired.

6 When blending is complete, the vacuum seal **MUST BE** released before opening the lid. To release the vacuum seal, gently lift the FreshVac Tab on the lid. Air will enter the pitcher, making it easy to remove the lid.

⚠ WARNING: Handle the blade assemblies with care when washing, as the blades are sharp. Contact with the blades' edges can result in laceration.

SMART SCREEN™ TECHNOLOGY

Customized power, speed, and pre-set programs for each attachment. Simply select from specially tailored smart programs on an easy-to-use touchscreen for consistent results with zero guesswork.

SINGLE-SERVE FRESHVAC™ CUP



SMOOTHIE

Fresh/Frozen Fruits
Milk/Yogurt
Protein Shakes

EXTRACT

Whole Fruits/Vegetables
Fibrous Ingredients
Seeds

FROZEN DRINK

Margaritas
Daiquiris
Milkshakes

FRESHVAC PITCHER



SMOOTHIE

Fresh/Frozen Fruits
Milk/Yogurt
Protein Shakes

ICE CREAM

Sorbet
Sherbet
Frozen Yogurt

PUREE

Hummus
Pesto
Sauces

FROZEN DRINK

Margaritas
Daiquiris
Milkshakes

CLEANING

CLEANING

Dishwasher: The containers, lids, and blade assemblies are all dishwasher safe. The lids and blade assemblies are top-rack dishwasher safe. Ensure the blade assemblies are removed from the containers before placing in the dishwasher.

Hand-washing: Wash containers, lids, and blade assemblies in warm, soapy water. When washing the blade assemblies, use a dishwashing utensil with a handle to avoid direct hand contact with blades. Handle blade assemblies with care to avoid contact with sharp edges. Rinse and air-dry thoroughly.

Before first use, remove the protector from the touchscreen by pulling the **PEEL HERE** tab.

Touchscreen: Clean touchscreen with a soft dry cloth to avoid scratching. To remove residue from the screen, you may use an all-purpose cleaner.



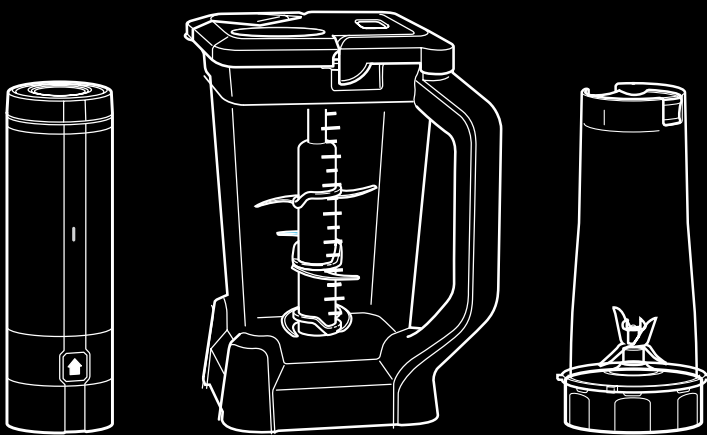
WARNING: Always unplug the base before cleaning.



WARNING: Handle the blade assemblies with care when washing, as the blades are sharp. Contact with the blades' edges can result in laceration.

NINJA[®] DUO[™] Smart Screen[™] BLENDER

— with FRESHVAC[™] TECHNOLOGY —



CT661V_QSG_MP_180703

DUO, NINJA, and PRO EXTRACTOR BLADES are registered trademarks of SharkNinja Operating LLC.
SMART SCREEN and FRESHVAC are trademarks of SharkNinja Operating LLC.