

# Assembling the side-carry handles on the grill



Scan here for  
how-to-videos.

- 1 Ensure the correct handle is being used on the left and right side. (Refer to Fig. A and note that the handles have L and R stickers on the underside.) An Allen wrench is taped onto the left handle (see Fig. A).

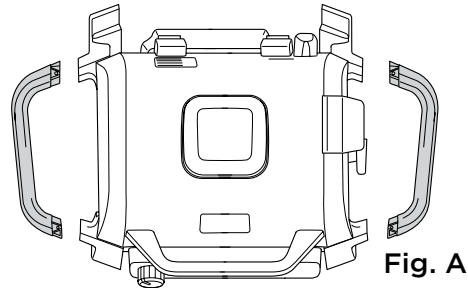


Fig. A

- 2 Place unit at edge of table (Fig. B) OR, with lid still taped down, carefully place grill upside down by holding the sides of the unit and the lid down. If tape has been removed, remove all accessories from the grill and, holding the sides of the unit and the lid down, place grill on top of top polyfoam piece to protect unit (Fig. C).

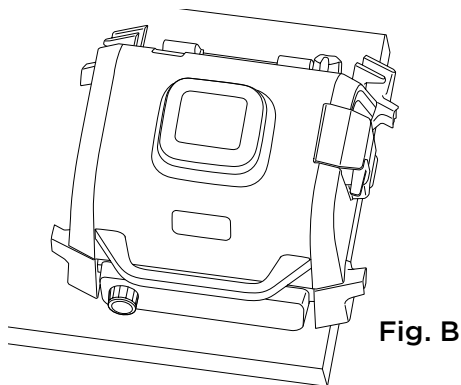


Fig. B

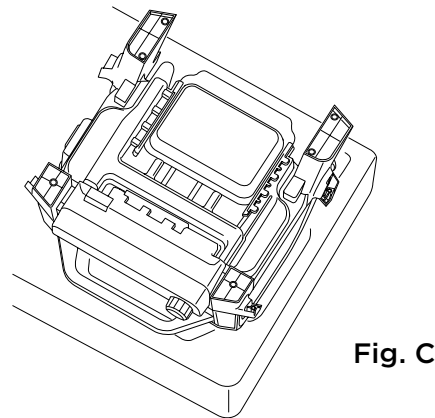


Fig. C

- 3 Align each handle with tabs on base, then push up to set each handle in place (Fig. D). Use included Allen wrench to tighten pre-assembled screws (2x) on each handle (Fig. E).

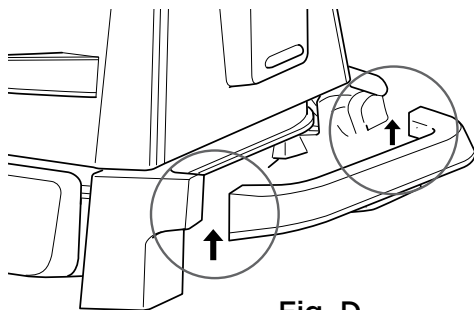


Fig. D

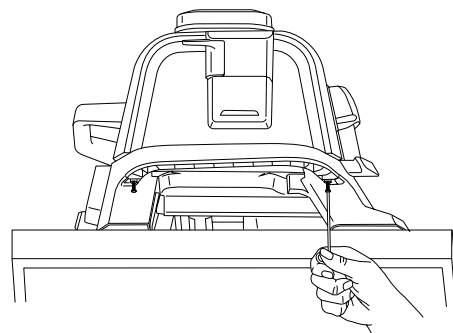


Fig. E

**Extension Cord:** If you are using an extension cord, connect to a properly 3-prong grounded GFI outlet only. Use only outdoor extension cords 50 ft. length or less, marked with letters "SJOW", 16 AWG, and stating, "suitable for use with outdoor appliances." Using the incorrect cord could lead to the cord overheating, melting, and/or a drop in voltage. A drop in voltage can increase preheat times and impact cooking performance and/or cook times.