

# Juicing 101

Use the freshest and ripest fruits and vegetables, and wash them prior to juicing. Always turn the juicer on before adding ingredients to the feed chute. Add ingredients gradually, making sure each has been fully processed and has moved through the feed chute chamber before adding more.

## PEEL VS. NO PEEL



### REMOVE SKINS AND RINDS

from ingredients such as citrus fruits, melons, pineapples, dragon fruit, mangoes, pomegranates, beets, ginger, papayas, and root vegetables.



### THE PEEL OR SKIN CAN REMAIN ON

for ingredients such as apples, pears, peaches, plums, cucumbers, and carrots.

## PREP

For best results, cut ingredients in 2-inch pieces.



### REMOVE STEMS

from apples (no need to remove the core or seeds). Remove stems from herbs, if desired.



### REMOVE LARGE PITS AND SEEDS

from ingredients such as mangoes, plums, peaches, cherries, papayas, lemons, melons, and peppers.

## REMINDER

1 lb. of produce will yield approximately 8 oz. of juice.\*



### DO NOT PROCESS INGREDIENTS

that do not contain juice, such as bananas or avocados.



Ingredients such as grapes and berries will require ample quantity due to low product yield.



### DO NOT PROCESS FROZEN

fruits and vegetables or ice.

\*Yield may vary depending on produce and seasonality.

## SAVE PULP FOR RECIPES



### USE THE PULP

for other recipes such as quick bread instead of throwing it away.



### REFER TO THE INSPIRATION GUIDE

for more ideas.

# NINJA NeverClog™ COLD PRESS JUICER

For questions or to register your product, visit us online at [ninjakitchen.com](http://ninjakitchen.com)



@ninjakitchen

© 2023 SharkNinja Operating LLC.

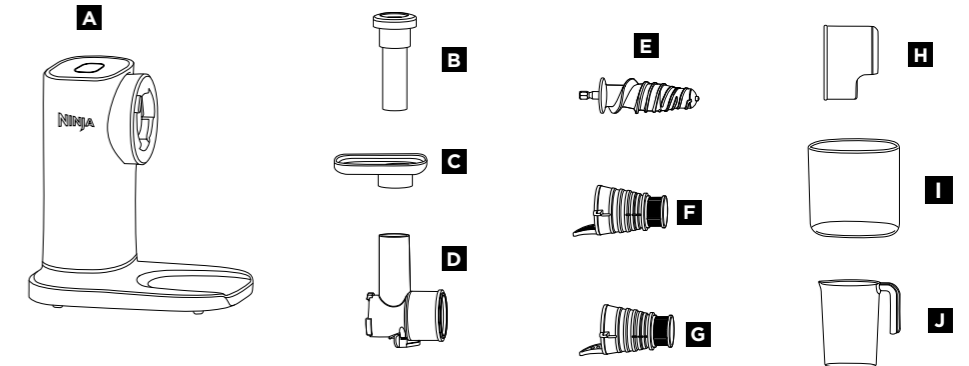
NINJA is a registered trademark of SharkNinja Operating LLC. NEVERCLOG and NINJA NEVERCLOG are trademarks of SharkNinja Operating LLC. JC151\_QSG\_NevClog\_REV\_Mv6

Please make sure to read the enclosed Ninja® Owner's Guide prior to using your unit.

# NINJA NeverClog™ COLD PRESS JUICER

# QUICK START GUIDE

## What's in the Box



- A** Motor Base
- B** Tamper
- C** Food Tray
- D** Feed Chute Chamber

- E** Auger
- F** Black Filter (less pulp)
- G** Orange Filter (lots of pulp)

- H** Pulp Spout
- I** Pulp Container
- J** Juice Jug

**NOTE:** The feed chute chamber (D), auger (E), orange filter (G), and pulp spout (H) are preassembled. Before first use, disassemble and clean all parts, then follow the assembly instructions.

## Using the Control Panel

### START/STOP

Press once to start continuous running up to 12 minutes; press again to stop.

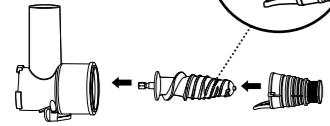


### REVERSE

If the feed chute chamber becomes blocked or ingredients are not processing, press and hold REVERSE. There will be a beep and a brief pause, then the auger will rotate in the opposite direction. Release REVERSE to stop. Repeat as needed. Press START/STOP to resume normal operation.

## Assembly

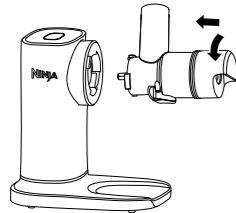
Align the metal portion of the filter with the bottom of the auger.



1.

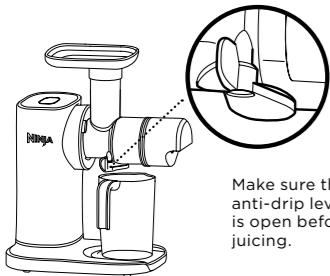
Insert the auger into the feed chute chamber, then attach the desired filter onto the auger. The filter will sit loosely around the auger.

**NOTE:** See next page for choosing a filter for pulp control.



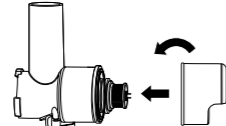
3.

Install the assembled feed chute chamber on the motor base at an angle, then turn counterclockwise until it clicks into place.



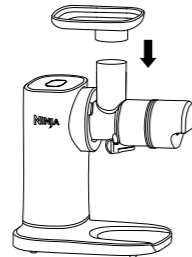
5.

Place the juice jug under the anti-drip lever on the feed chute chamber.



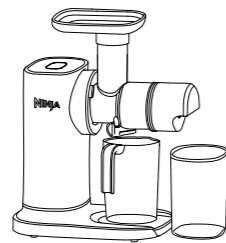
2.

Attach the pulp spout to the feed chute chamber by installing at an angle on top of the filter, then turning counterclockwise to lock in place.



4.

Install the food tray on the top of the feed chute chamber.

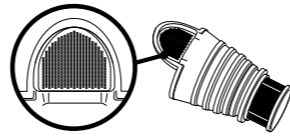


6.

Place the pulp container under the pulp spout.

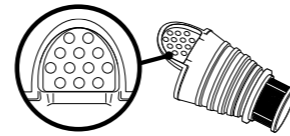
## Using the Filters for Pulp Control

Control the amount of pulp by choosing the appropriate filter.



### LESS PULP

Use the black filter with the finest mesh for juice with less pulp.



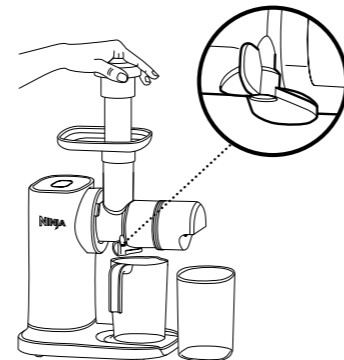
### LOTS OF PULP

Use the orange filter with the largest mesh for juice with lots of pulp.

For best results, we recommend using the **Orange (Lots of Pulp)** filter when processing soft fibrous fruits like pears, berries, seeded melons, and pineapple.

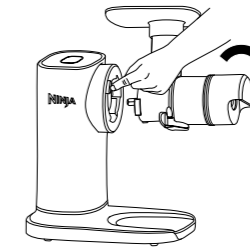
Depending on the seasonality of ingredients, you may experience lower juice and pulp yield when using the **Black (Less Pulp)** filter. If this occurs, try using the **Orange (Lots of Pulp)** filter.

## Using the Juicer



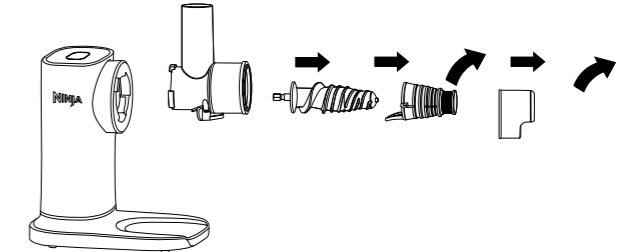
1. Make sure the anti-drip lever is open before juicing.
2. Press START/STOP, then gradually add ingredients to the feed chute. For best results, allow juicer to process each ingredient before adding more. Use the tamper to push ingredients down into feed chute as needed. When done, press START/STOP to stop the unit.
3. Close the anti-drip lever so juice won't drip onto the motor base. Remove juice jug from unit, stir juice, and serve.

## Disassembly



1.

Press and hold the RELEASE button while turning the feed chute chamber clockwise to remove it from the motor base.



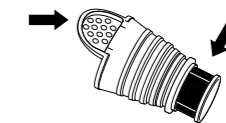
2.

Remove the pulp spout from the feed chute chamber by turning it clockwise. Remove the filter and auger by gently pulling them out of the feed chute chamber.

3.

Unplug the unit when finished. If moving the unit, grab from the bottom of the base.

## Cleaning



If there is pulp buildup on the metal portion of the filter, use a cleaning utensil or toothpick to remove the excess before washing.



### Dishwasher

All parts except the motor base are top-rack dishwasher safe and should **NOT** be cleaned with a heated dry cycle.



### Hand-Washing

Wash parts in warm, soapy water.

**IMPORTANT: DO NOT** attempt to clean the unit by adding water to the feed chute while it's attached to the motor base.